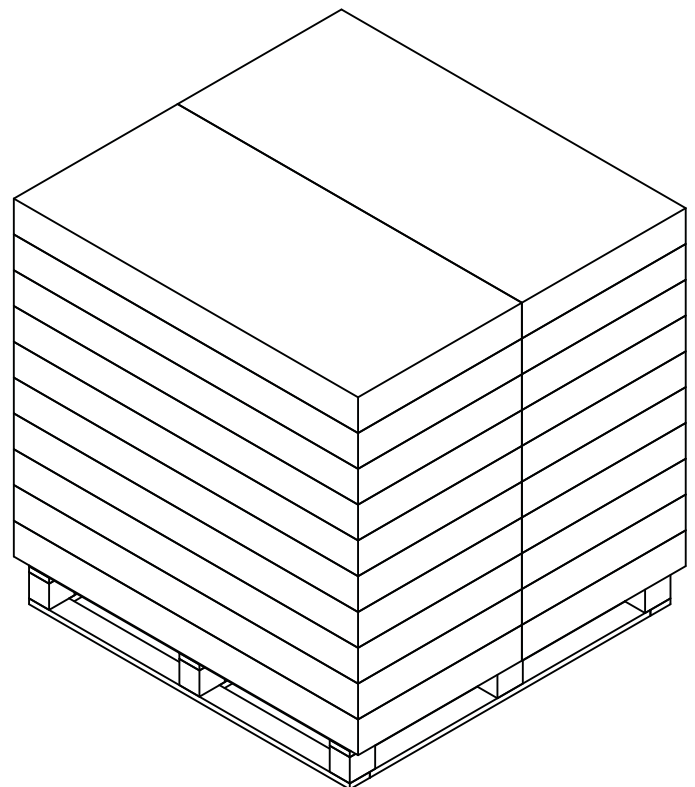
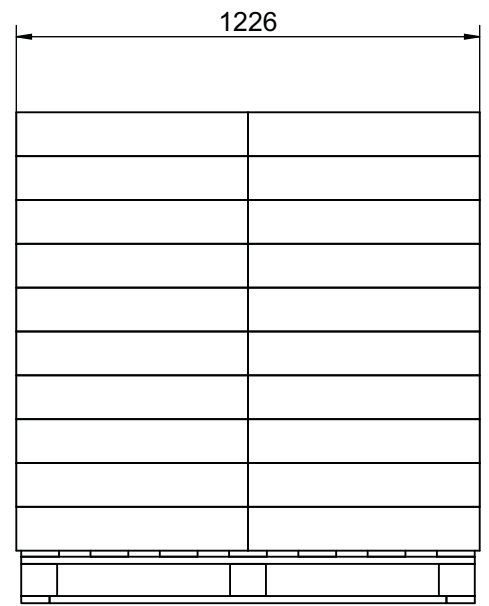
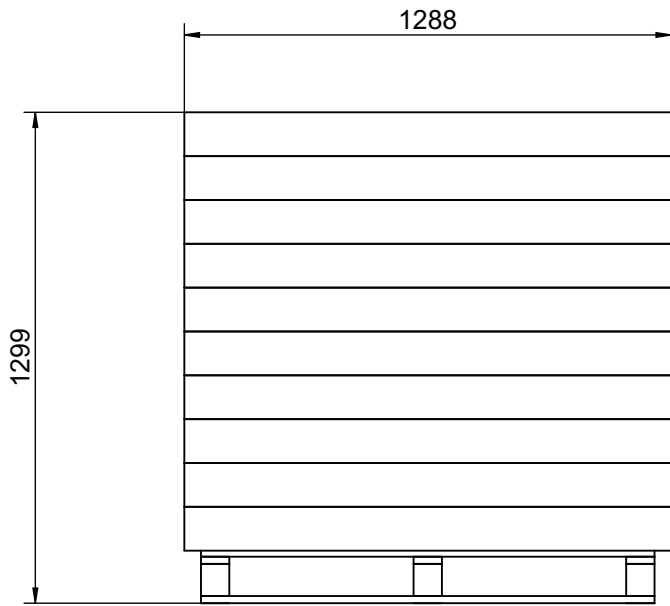
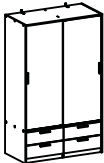
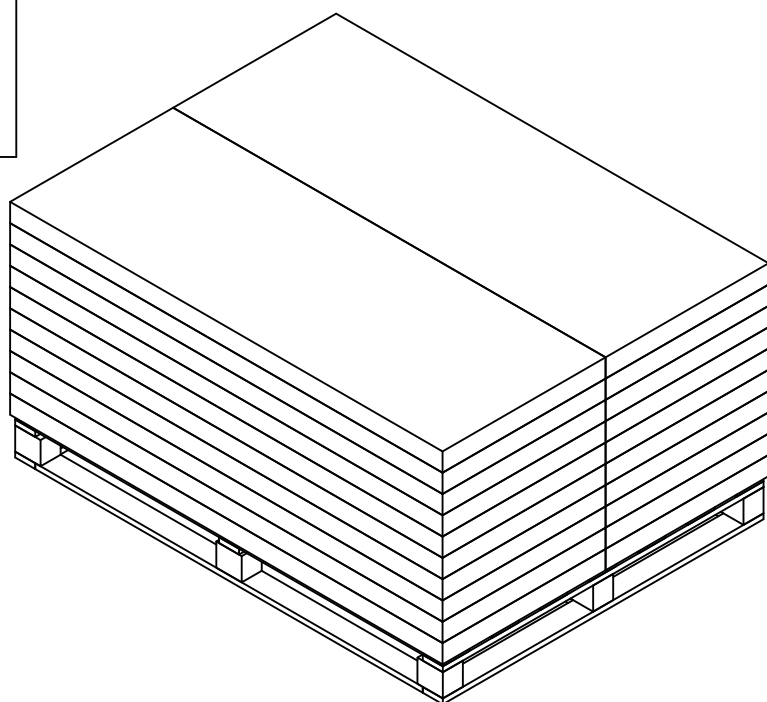
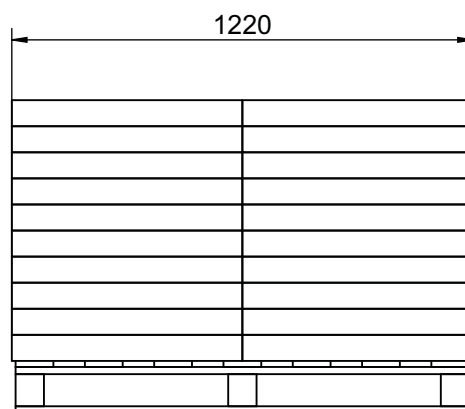
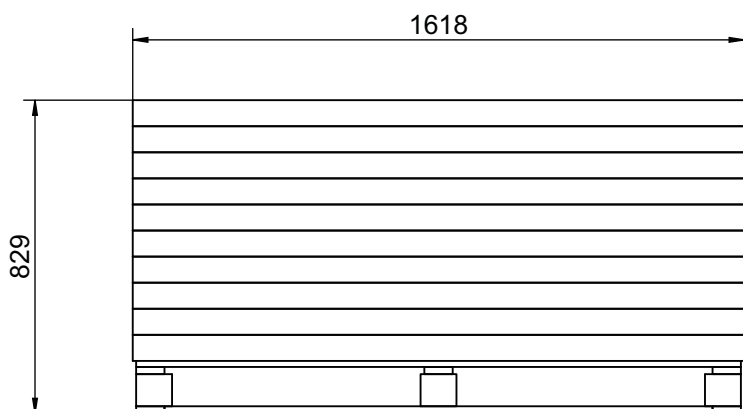


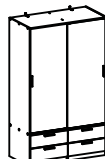
# PALLETIZING



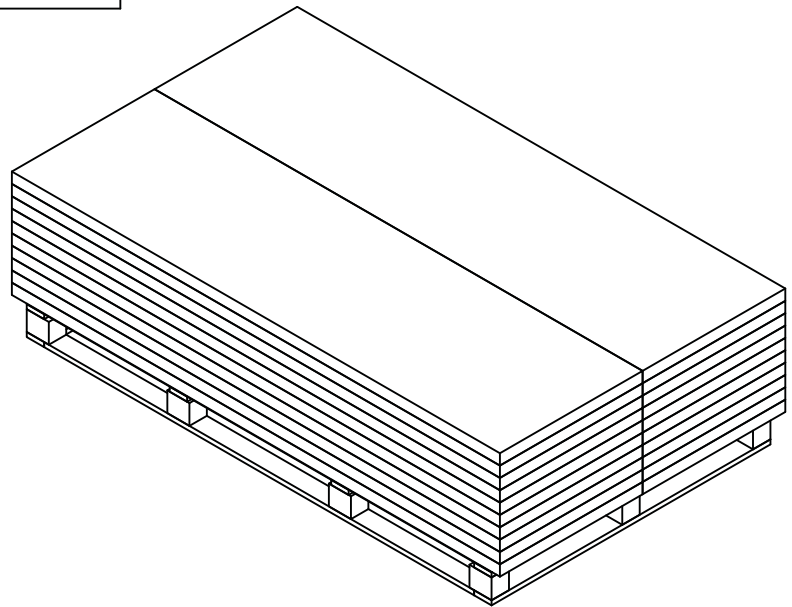
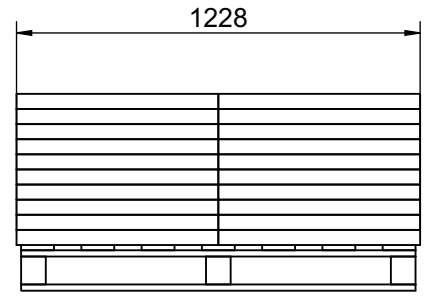
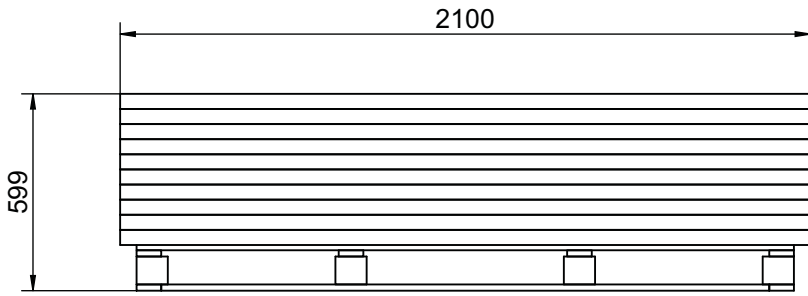
Rev.	Latest Revision / Description						
A	Første udgave.						
Item number	Component	Pcs.	L	W	T	Gross weight in kg	Net weight in kg
089068	Palle, TS31, Special.	1	1200	1200	139		
Box 1 af 3		20	1288	613	116	38,0	36,7
<b>tvilum</b>	<b>Garderobeskab</b> Line		INIT:	JR	DATE :	19-03-2018	
			REVISION:	<b>A</b>	Approved by:	<b>JR</b>	
<b>74321</b>			<b>DWG.NO.</b>		<b>74321-70</b>		

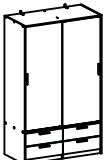
# PALLETIZING



Rev.	Latest Revision / Description						
A	Første udgave.						
Item number	Component	Pcs.	L	W	T	Gross weight in kg	Net weight in kg
089113	Palle, TS40, Special.	1	1600	1200	139		
Box 2 af 3		20	1618	610	69	30,7	29,5
<b>tvilum</b>	<b>Garderobeskab</b> Line		INIT:	JR	DATE :	19-03-2018	
			REVISION:	<b>A</b>	Approved by:	<b>JR</b>	
<b>74321</b>			<b>DWG.NO.</b>		<b>74321-70</b>		

# PALLETIZING



Rev.	Latest Revision / Description						
A	Første udgave.						
Item number	Component	Pcs.	L	W	T	Gross weight in kg	Net weight in kg
089641	Palle, TS66, Special.	1	2000	1200	139		
Box 3 af 3		20	2100	614	46	31,2	29,9
<b>tvilum</b>	<b>Garderobeskab</b> Line		INIT:	JR	DATE :	19-03-2018	
			REVISION:	<b>A</b>	Approved by:	<b>JR</b>	
<b>74321</b>			<b>DWG.NO.</b>		<b>74321-70</b>		