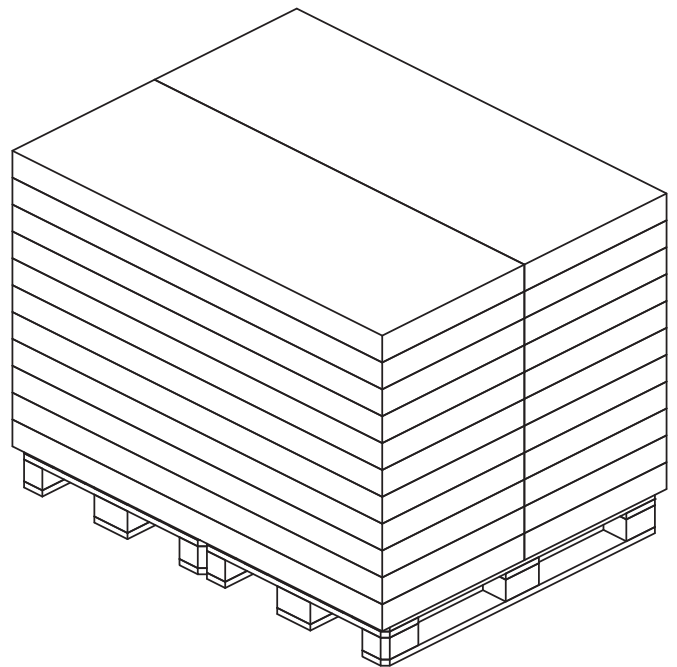
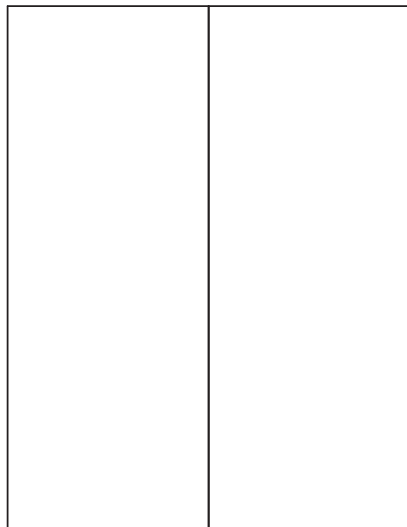
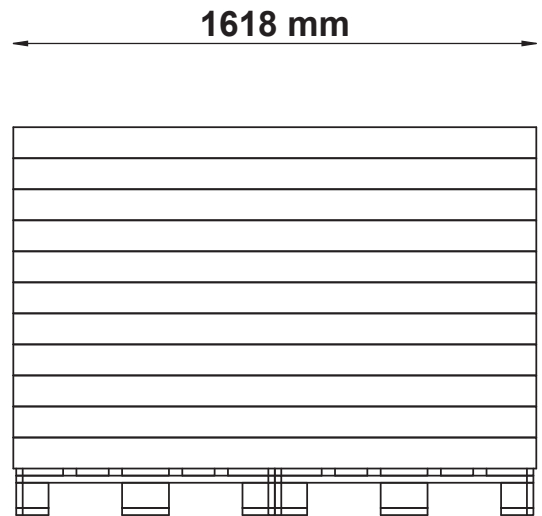
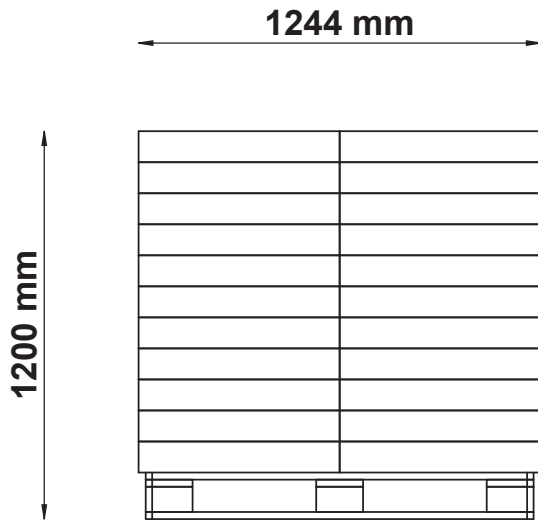


PALLETIZING

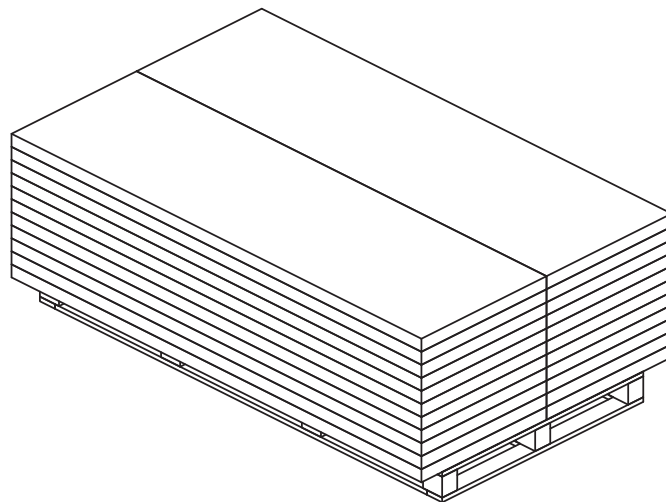
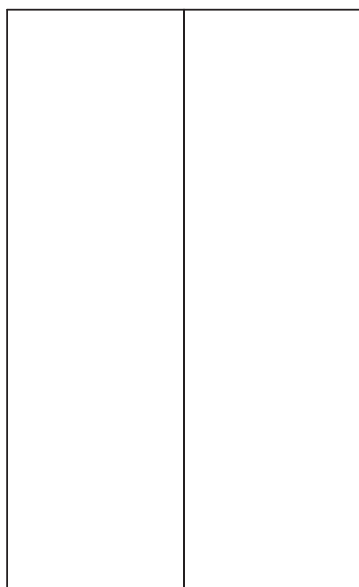
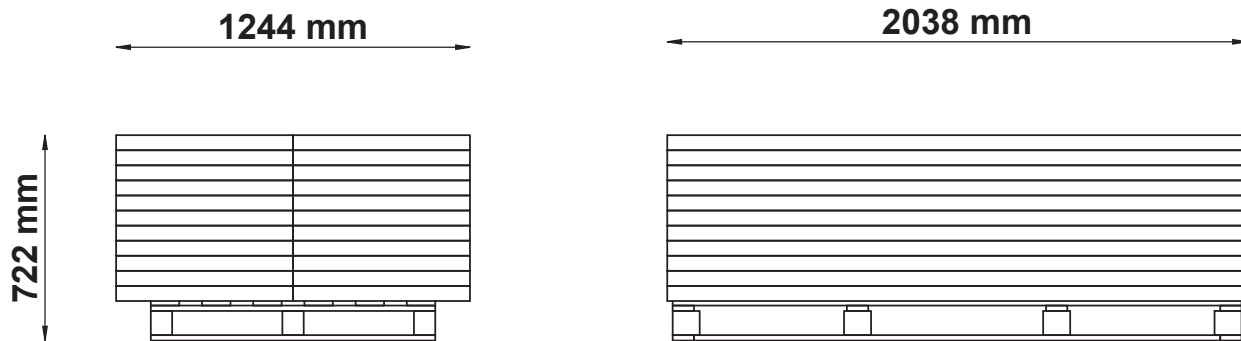


Item number	Component	Pcs.	L	W	T	Gross weight (kg)	Net weight (kg)
089042y	Palle, EUR	2	1200	800	144	25	
	Box 1 of 4	22	1618	622	96	37.2	35.8
Total Weight (kg)						868.4	

Rev.	Latest Revision / Description
A	Første udgave.

tvilum	Garderobeskab 3 låger + 2 skuffer Mira		INIT:	JR	DATE :	18-03-2025
			REVISION:	A	Approved by:	JR
71241			DWG.NO.		71241-70	

PALLETIZING



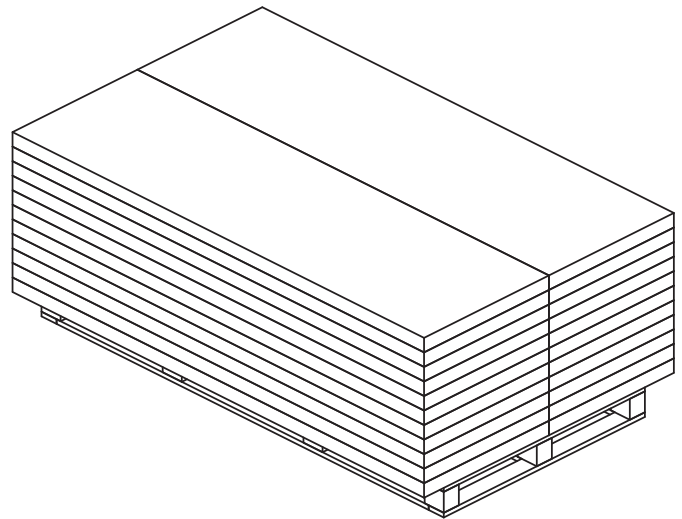
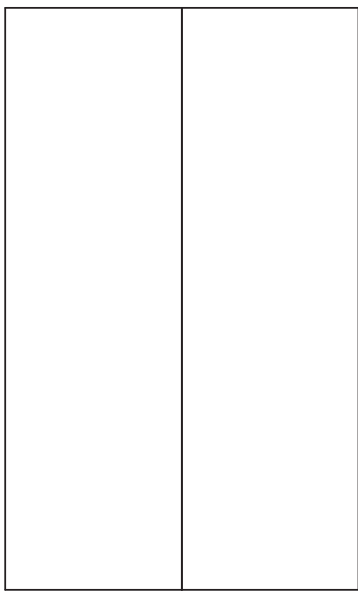
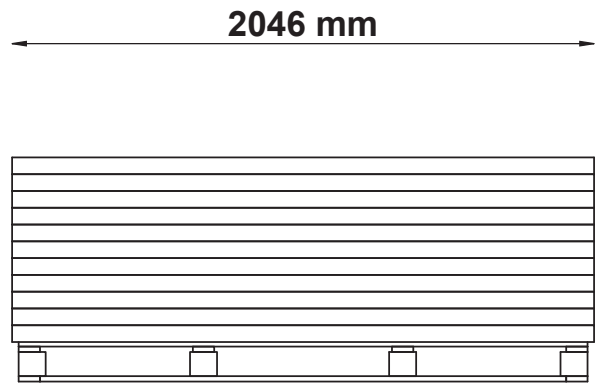
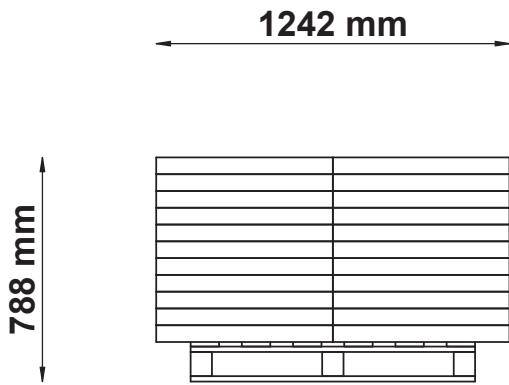
Fælles colli til 71240 - 71241 cl. 2.

Item number	Component	Pcs.	L	W	T	Gross weight (kg)	Net weight (kg)
089154	Palle, TS12A, Special	1	2000	1000	139	22	
	Box 2	22	2038	622	53	25.5	24.1
Total Weight (kg)						583	

Rev.	Latest Revision / Description
A	Første udgave.

tvilum	Garderobeskab Mira	INIT:	JR	DATE :	17-03-2025
		REVISION:	A	Approved by:	JR
71240-241		DWG.NO.		71240-241 -70	

PALLETIZING

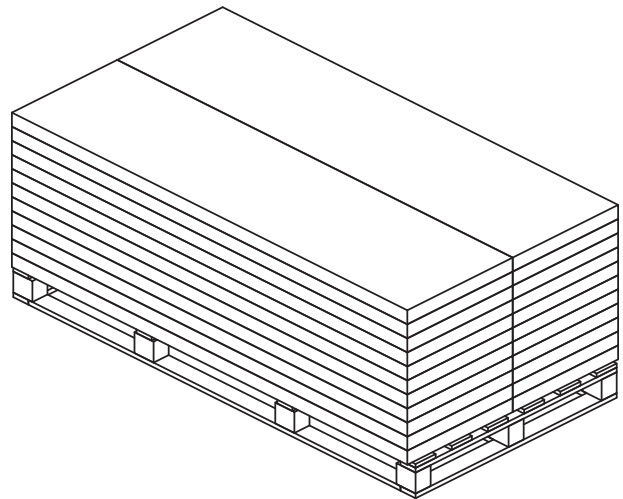
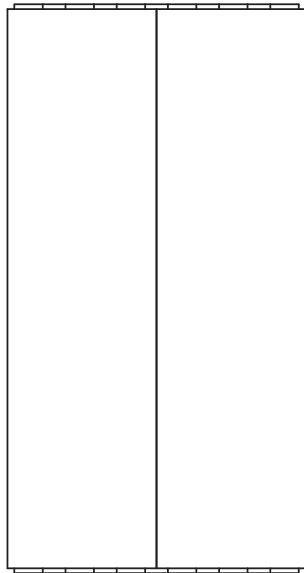
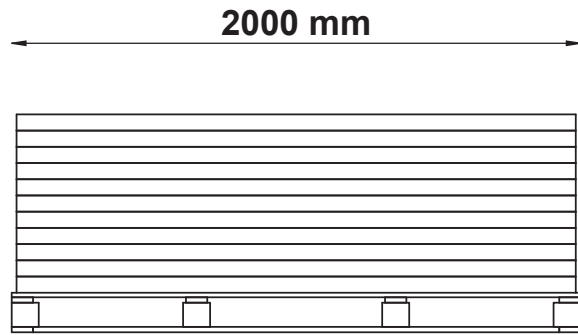
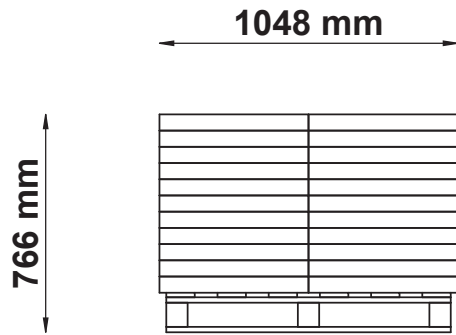


Item number	Component	Pcs.	L	W	T	Gross weight (kg)	Net weight (kg)
089154	Palle, TS12A, Special	1	2000	1000	139	22	
	Box 3 of 4	22	2046	621	59	34.1	32.6
Total Weight (kg)						772.2	

Rev.	Latest Revision / Description
A	Første udgave.

tvilum	Garderobeskab 3 låger + 2 skuffer Mira		INIT:	JR	DATE :	18-03-2025
			REVISION:	A	Approved by:	JR
71241			DWG.NO.		71241-70	

PALLETIZING



Item number	Component	Pcs.	L	W	T	Gross weight (kg)	Net weight (kg)
089154	Palle, TS12A, Special	1	2000	1000	139	22	
	Box 4 of 4	22	1966	524	57	31.7	30.5
Total Weight (kg)						719.4	

Rev.	Latest Revision / Description
A	Første udgave.

tvilum	Garderobeskab 3 låger + 2 skuffer Mira		INIT:	JR	DATE :	18-03-2025
			REVISION:	A	Approved by:	JR
71241			DWG.NO.		71241-70	