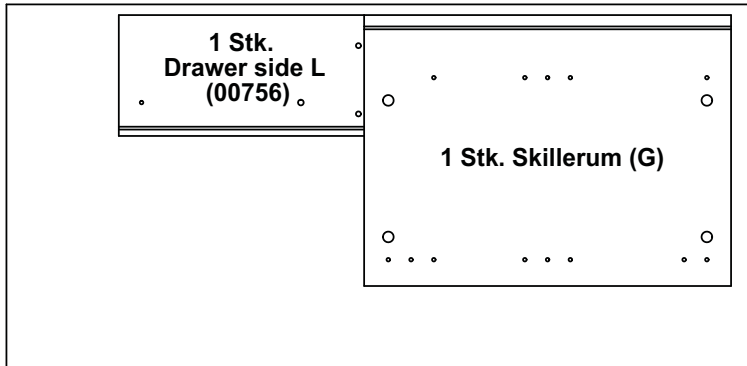


PACKAGING

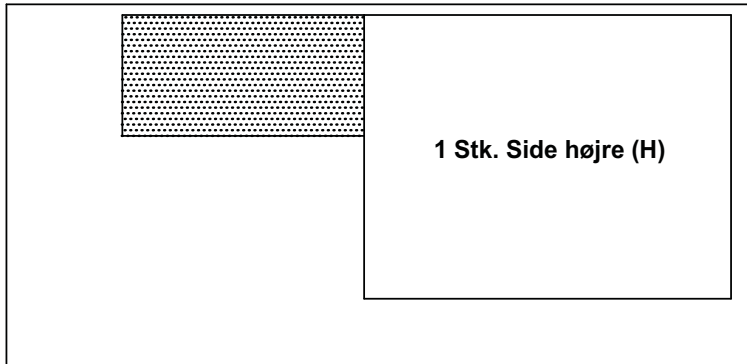
Note til pakkebånd:

Lag 4



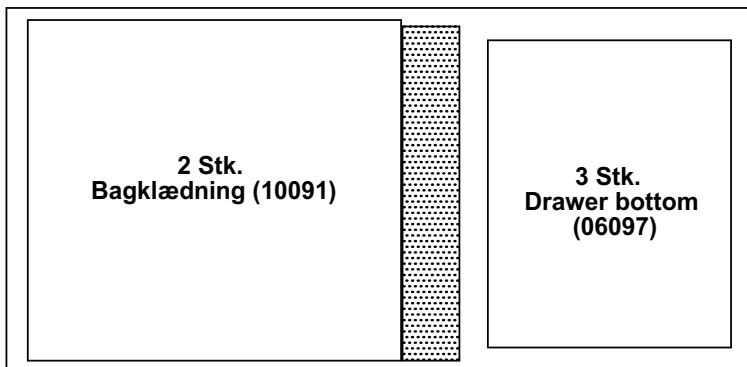
Lag 5


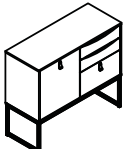
1 Stk. EPS 340x170x21



Lag 6

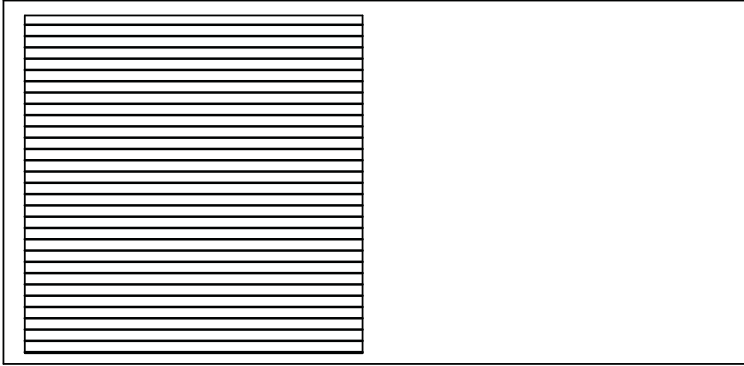
1 Stk. EPS 470x80x38



Rev.	Latest Revision / Description											
C	10-07-2019 JR (Poul): Lag ændret. Nyt EPS i kassen.											
Cardboard closure		Packaging type				Thickness of board / Composition of quality						
A - Sideluk		C - 30 mm end/15 mm side				3 mm (B-flute, brown) / Min.: ECT 3,9 - Mul 350						
INSIDE MEASURE	L:	1049	B:	511	H:	138	Glue flap:	45	Measurements shown in mm.	BOX: 1 of 1	PAGE:2/4	
 88200		Skænk 1 låge + 3 skuffer Stubbe							INIT:	JR	DATE:	11-04-2019
		REVISION:		C		Approved by:			JR			
		DWG.NO.			88200-60							

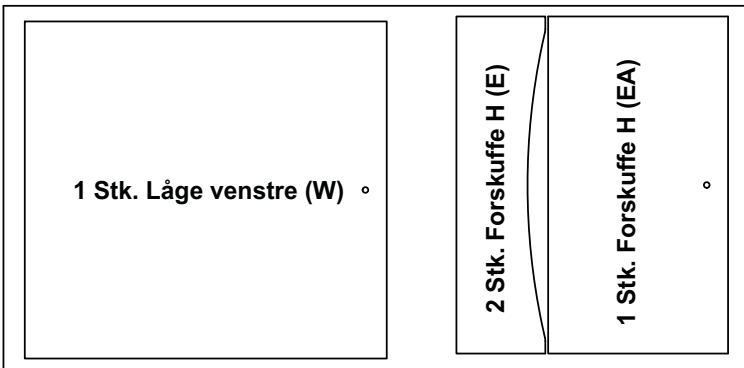
PACKAGING

Lag 7

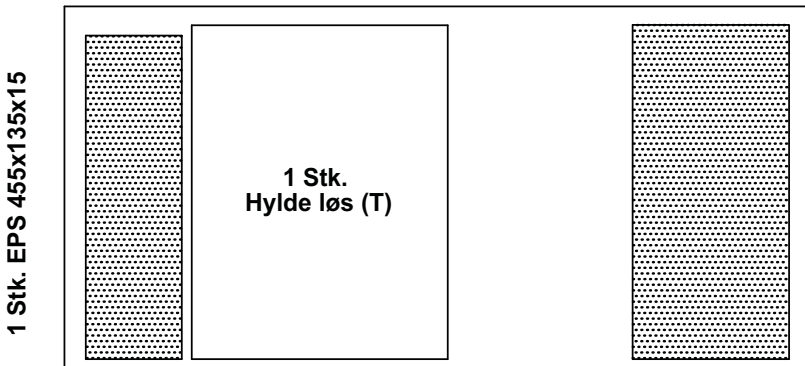


1 Stk. Pap 475x475x3

Lag 8



Lag 9



Note til pakkebånd:

Rev.	Latest Revision / Description													
C	10-07-2019 JR (Poul): Lag ændret. Nyt EPS i kassen.													
Cardboard closure			Packaging type				Thickness of board / Composition of quality							
A - Sideluk			C - 30 mm end/15 mm side				3 mm (B-flute, brown) / Min.: ECT 3,9 - Mul 350							
INSIDE MEASURE			L:	1049	B:	511	H:	138	Glue flap:	45	Measurements shown in mm.	BOX: 1 of 1	PAGE:3/4	
			Skænk 1 låge + 3 skuffer Stubbe								INIT:	JR	DATE :	11-04-2019
									REVISION:	C		Approved by:	JR	
88200									DWG.NO.		88200-60			

