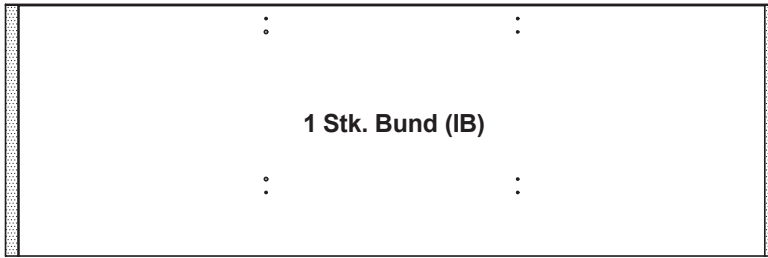


PACKAGING

Note til pakkebånd:

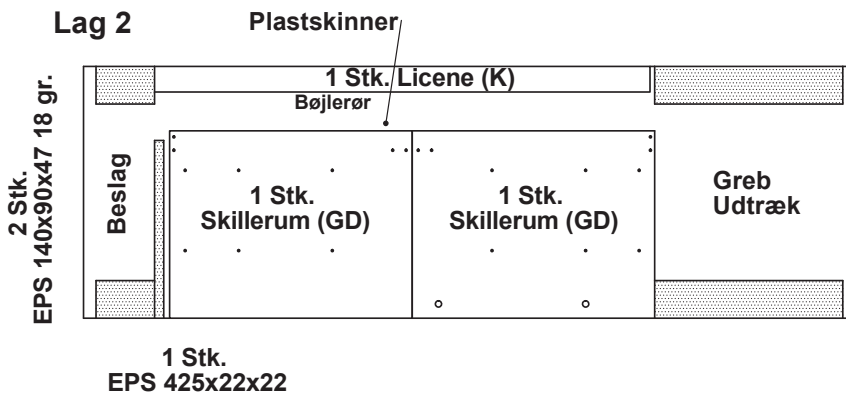
Samlevejledning

Lag 1



2 Stk. EPS 600x77x30

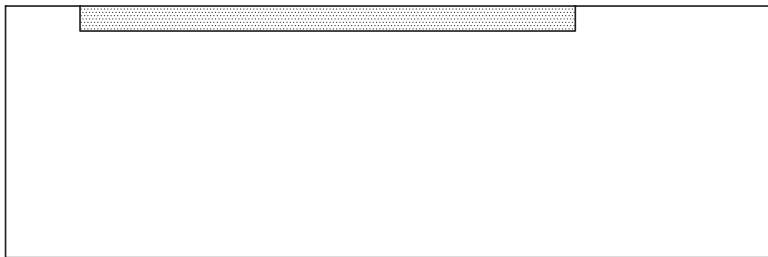
Lag 2



2 Stk. EPS 450x90x47 30 gr.

Lag 3

1 Stk. EPS 1185x60x7 30 gr.



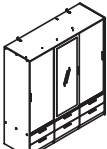
Beslag se beslagsliste

Greb se beslagsliste

Rulleudtræk se beslagsliste

Plastskinner se beslagsliste

Bøjlerør se beslagsliste

Latest Revision / Description													
Rev. F	09-09-2021 JR (Mia): EPS 455x150x47 30 gr. ændret til 450x90x47 30 gr. EPS 140x140x47 30 gr. ændret til 140x90x47 30 gr. EPS 1185x40x22 er fjernet.				Cardboard closure			Packaging type					
					A - Sideluk			B - 30 mm end protection					
					Thickness of board / Composition of quality								
					3 mm (B-flute, brown) / Min.: ECT 3,9 - BST 520								
Units:			ECT = kN/m			BST = kPa							
INSIDE MEASURE		L:	1846	B:	602	H:	78	Glue flap:	45	Measurements shown in mm.	BOX: 1 of 3	PAGE:1/2	
tvilum		Garderobeskab Line						INIT:		JR	DATE: 19-03-2018		
								REVISION:		F	Approved by:		JR
74320								DWG.NO.		74320-60			

PACKAGING

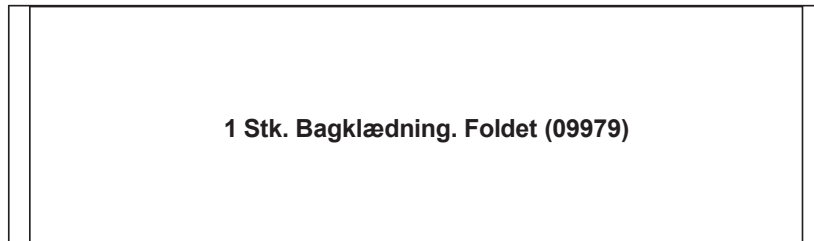
Note til pakkebånd:

Lag 1

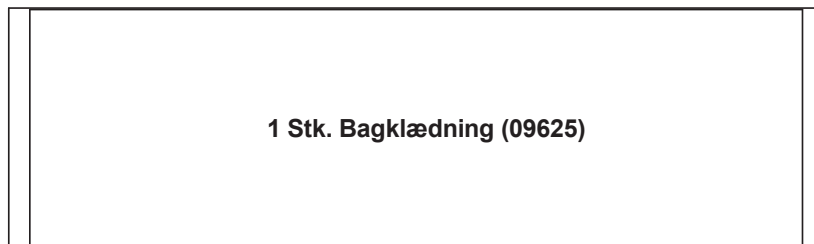


2 Stk. EPS 600x52x30

Lag 2



Lag 3

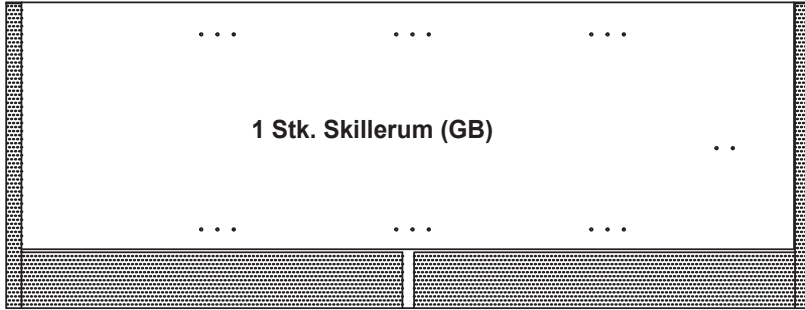


Latest Revision / Description													
Rev. B	11-06-2019 JR (Dorthe): EPS 600x40x8 er fjernet.				Cardboard closure			Packaging type					
					A - Sideluk			B - 30 mm end protection					
					Thickness of board / Composition of quality								
					3 mm (B-flute, brown) / Min.: ECT 3,9 - BST 520								
				Units:		ECT = kN/m		BST = kPa					
INSIDE MEASURE		L:	2062	B:	604	H:	53	Glue flap:	45	Measurements shown in mm.	BOX: 2 of 3	PAGE:1/2	
tvilum		Garderobeskab							INIT:	JR	DATE:	19-03-2018	
		Line							REVISION:	B	Approved by:	JR	
74320									DWG.NO.	74320-60			

PACKAGING

Note til pakkebånd:

Lag 1

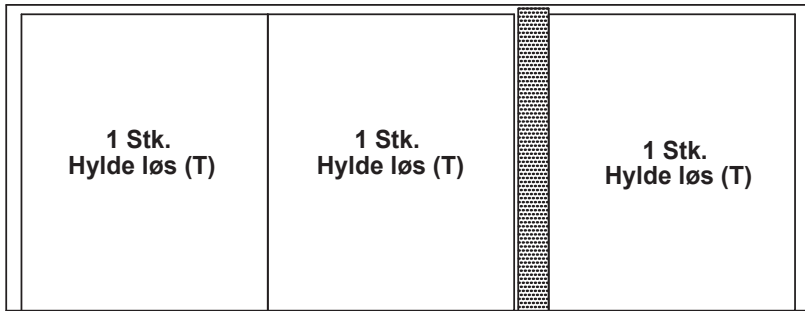


2 Stk. EPS 600x80x30

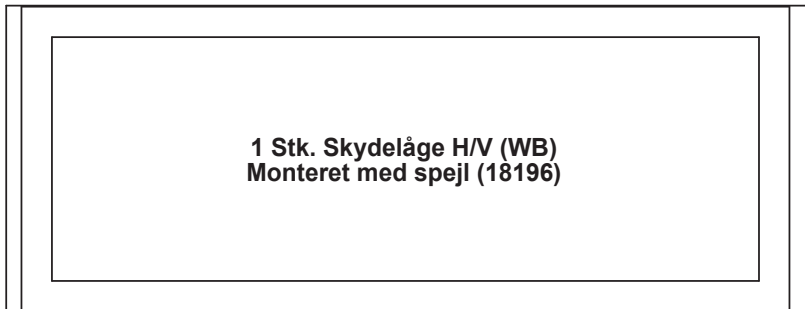
2 Stk. EPS 750x110x15

Lag 2

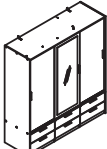
1 Stk. EPS 595x60x15



Lag 3



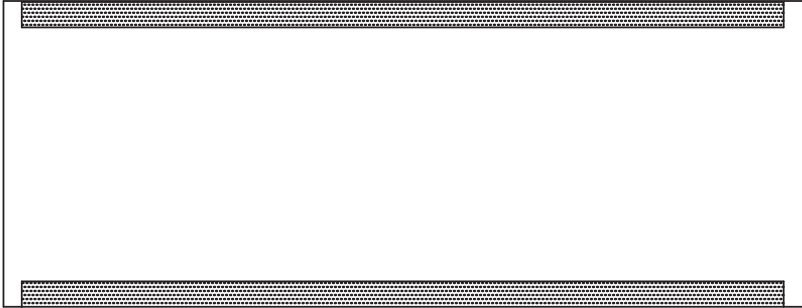
Notat: Pap 1375x475x2 lægges
ovenpå spejl.

Latest Revision / Description												
Rev. D	25-05-2022 JR (ECO 11028): Karton 1375x475x0,6 ændret til Pap 1375x475x2.					Cardboard closure			Packaging type			
						A - Sideluk			B - 30 mm end protection			
						Thickness of board / Composition of quality						
						3 mm (B-flute, brown) / Min.: ECT 3,9 - BST 520						
Units:			ECT = kN/m			BST = kPa						
INSIDE MEASURE		L:	1583	B:	602	H:	81	Glue flap:	45	Measurements shown in mm.	BOX: 3 of 3	PAGE:1/2
tvilum		Garderobeskab Line						INIT:		JR	DATE : 19-03-2018	
								REVISION:		D	Approved by:	
74320								DWG.NO.		74320-60		

PACKAGING

Note til pakkeband:

Lag 4

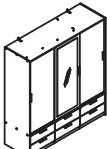


2 Stk. EPS 1500x50x6 30 gr.

Lag 5



2 Stk. Skydelåge H/V (WB)

Latest Revision / Description													
Rev. D	25-05-2022 JR (ECO 11028): Karton 1375x475x0,6 ændret til Pap 1375x475x2.				Cardboard closure			Packaging type					
					A - Sideluk			B - 30 mm end protection					
					Thickness of board / Composition of quality								
					3 mm (B-flute, brown) / Min.: ECT 3,9 - BST 520								
Units:		ECT = kN/m			BST = kPa								
INSIDE MEASURE		L:	1583	B:	602	H:	81	Glue flap: 45	Measurements shown in mm.	BOX: 3 of 3	PAGE:2/2		
tvilum 74320		Garderobeskab Line							INIT:	JR	DATE :	19-03-2018	
									REVISION:	D	Approved by:	JR	
								DWG.NO.		74320-60			