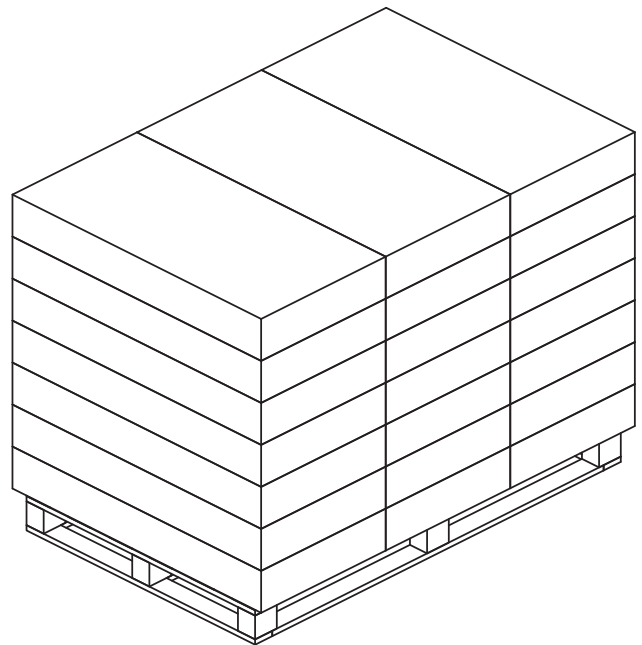
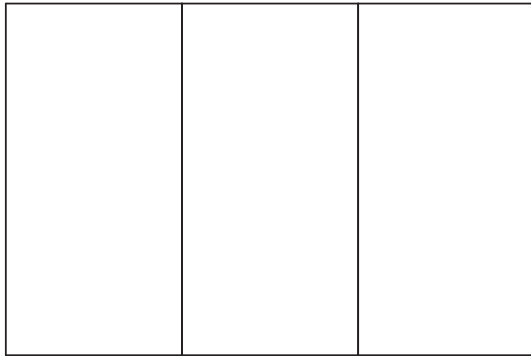
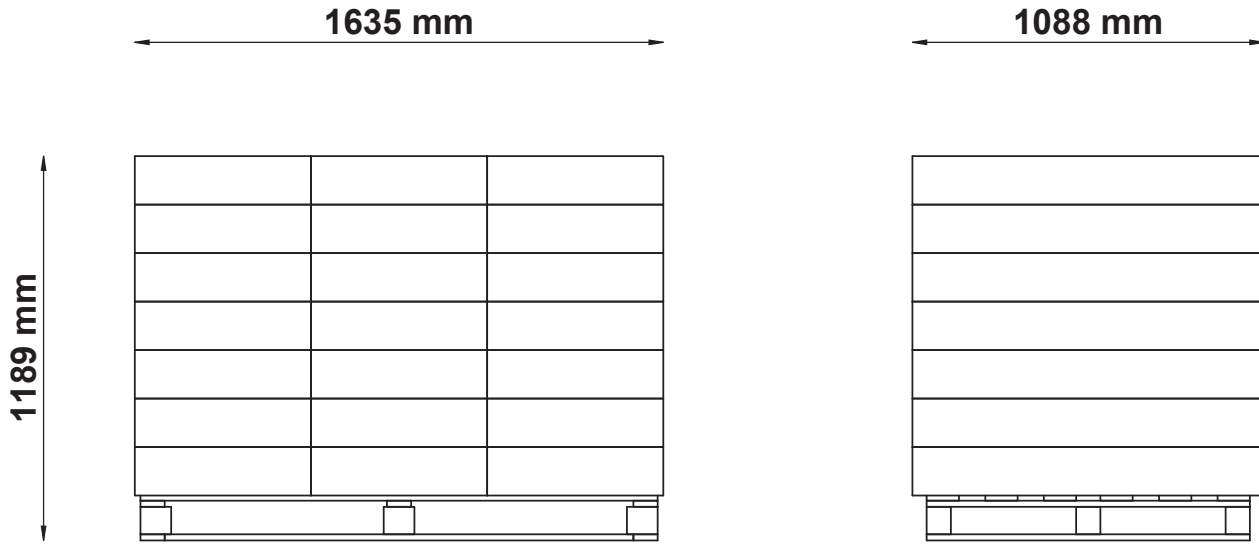


# PALLETIZING

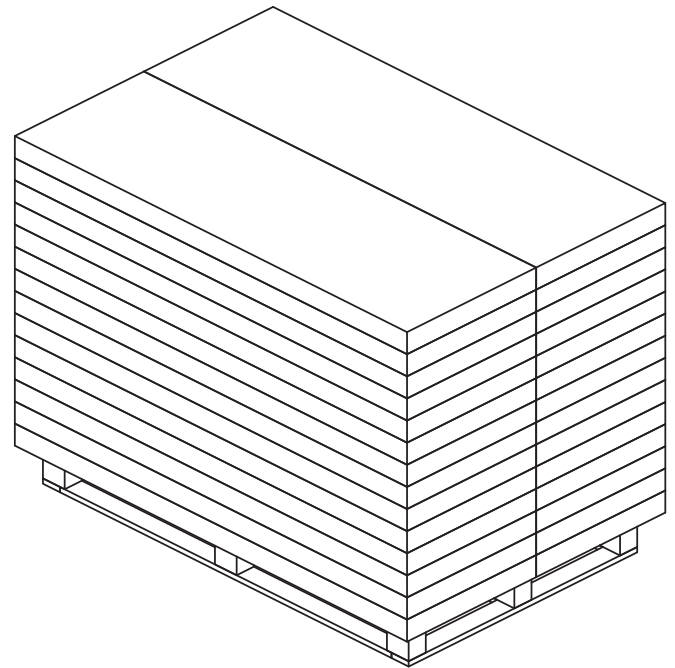
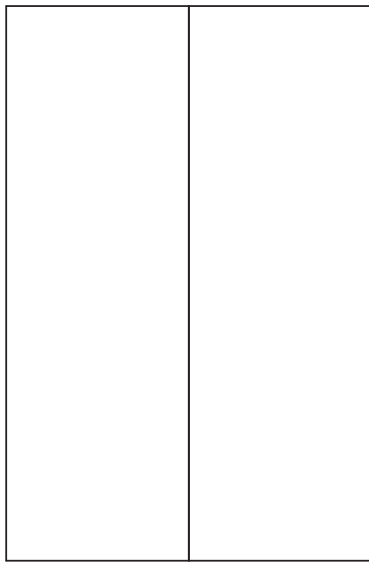
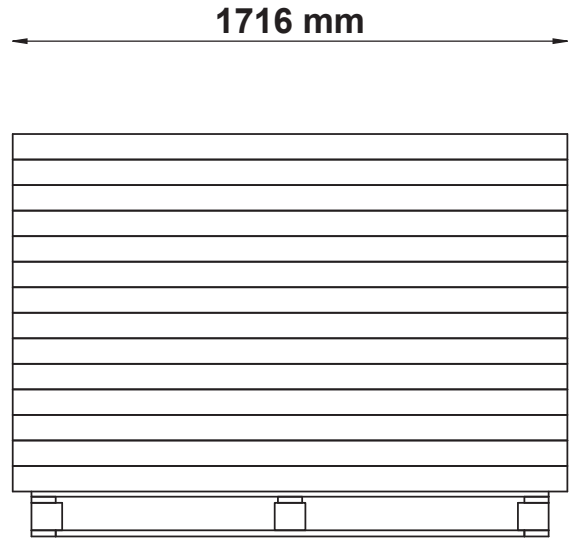
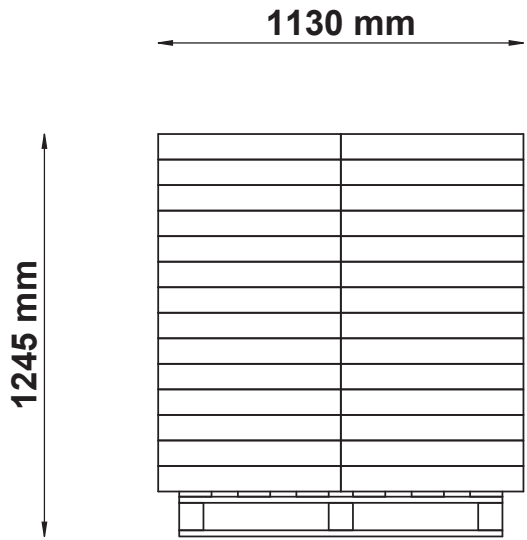


Item number	Component	Pcs.	L	W	T	Gross weight (kg)	Net weight (kg)
	Box 1 of 2	21	1088	545	150	26.7	25.3
089106	Palle, TS1A, Special	1	1600	1000	139	20	
<b>Total Weight (kg)</b>						580.7	

Rev.	Latest Revision / Description
A	Første udgave.

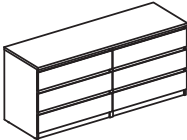
	<b>Kommode 6 skuffer</b> <b>Naia</b>		INIT:	JR	DATE :	23-10-2023
			REVISION:	<b>A</b>	Approved by:	<b>JR</b>
<b>70296U</b>			<b>DWG.NO.</b>		<b>70296U-70</b>	

# PALLETIZING



Item number	Component	Pcs.	L	W	T	Gross weight (kg)	Net weight (kg)
	Box 2 of 2	28	1716	565	79	30.2	28.9
089106	Palle, TS1A, Special	1	1600	1000	139	20	
<b>Total Weight (kg)</b>						865.6	

Rev.	Latest Revision / Description
A	Første udgave.

<b>tvilum</b>	<b>Kommode 6 skuffer</b> <b>Naia</b>		INIT:	JR	DATE :	23-10-2023
			REVISION:	<b>A</b>	Approved by:	<b>JR</b>
<b>70296U</b>			<b>DWG.NO.</b>		<b>70296U-70</b>	