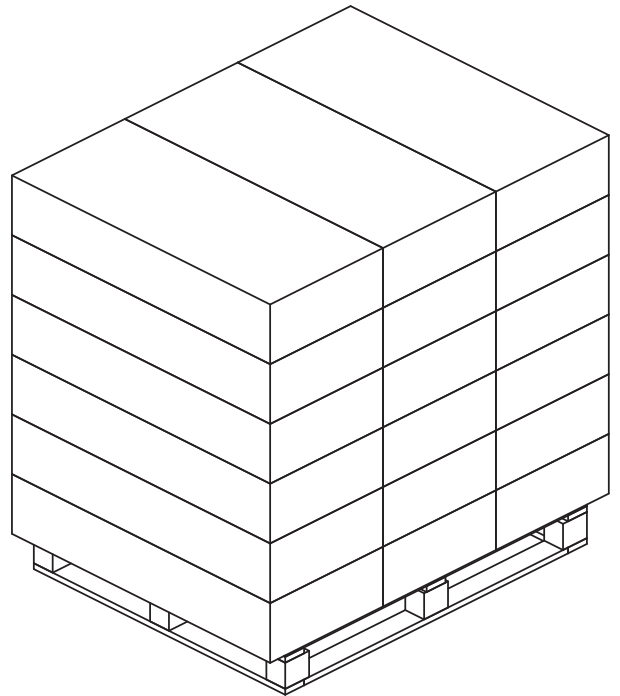
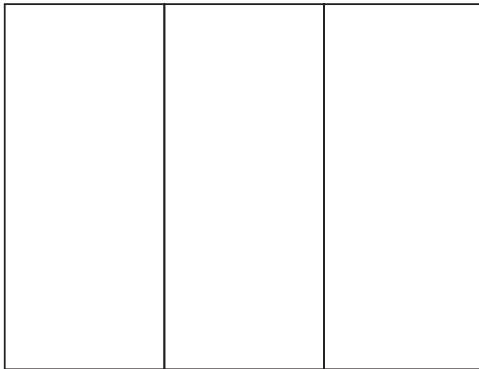
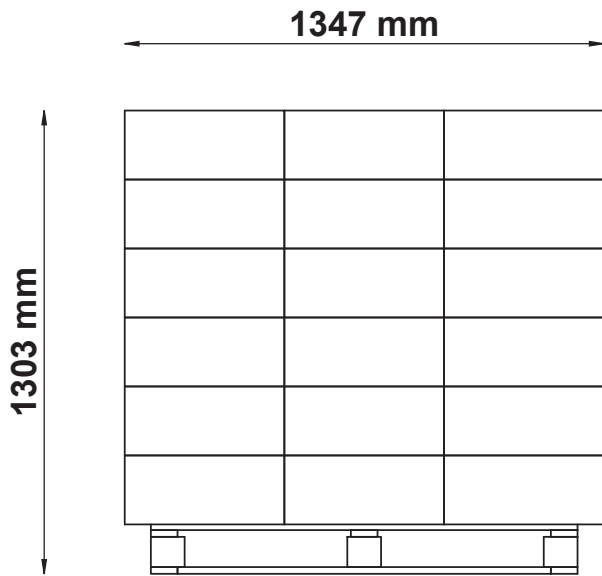
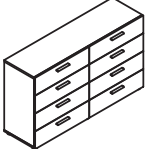


# PALLETIZING

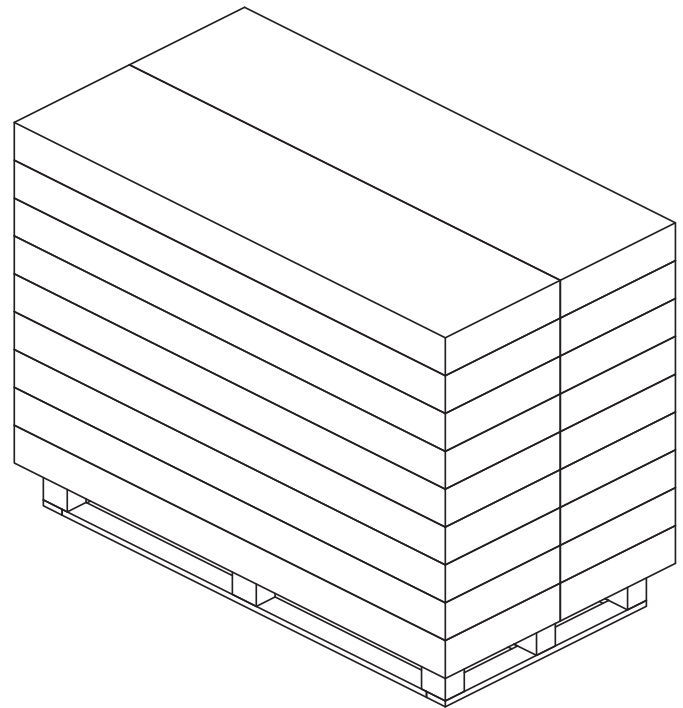
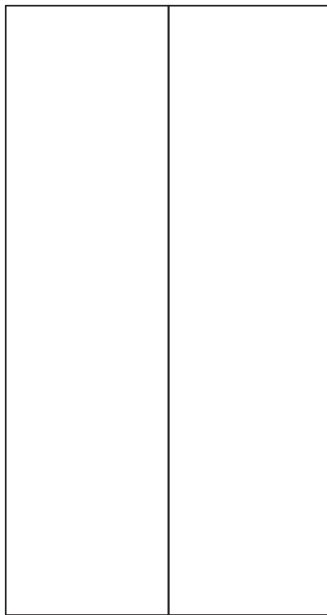
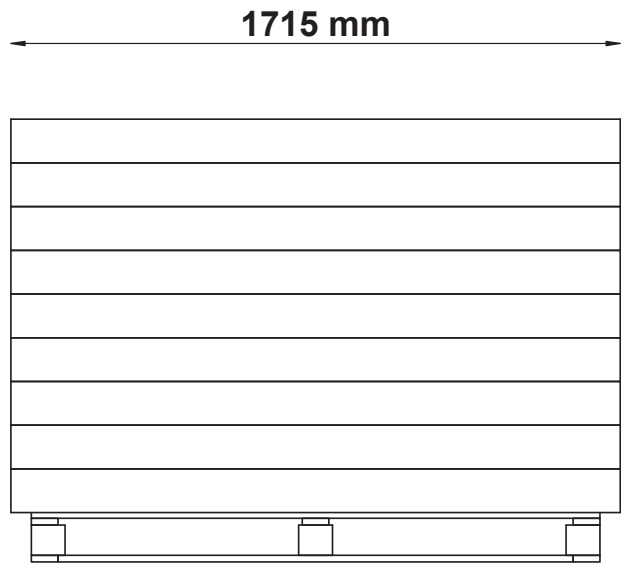
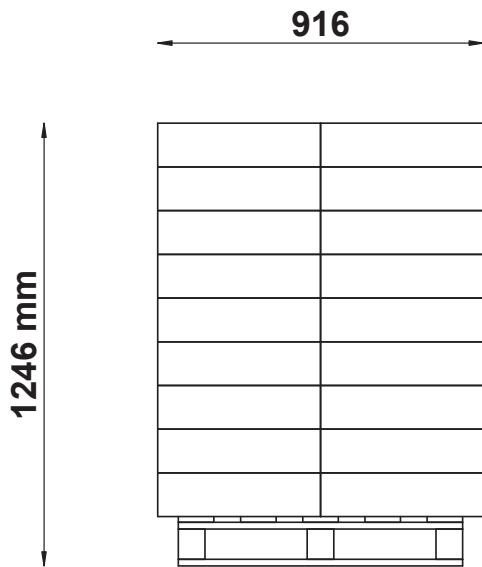


Item number	Component	Pcs.	L	W	T	Gross weight (kg)	Net weight (kg)
	Box 1 of 2	18	1027	449	194	34.05	32.85
089108	Palle, TS23B, Special	1	1200	1000	139	17	
<b>Total Weight (kg)</b>						629.9	

Rev.	Latest Revision / Description
B	09-04-2024 JR (ECO EC-220): Palle 089143 ændret til 089108.

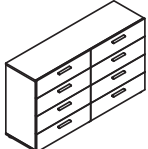
<b>tvilum</b>	<b>Kommode 8 skuffer</b> <b>Pepe</b>		INIT:	JR	DATE :	19-10-2023
			REVISION:	<b>B</b>	Approved by:	<b>JR</b>
<b>70073U</b>			<b>DWG.NO.</b>		<b>70073U-70</b>	

# PALLETIZING



Item number	Component	Pcs.	L	W	T	Gross weight (kg)	Net weight (kg)
	Box 2 of 2	18	1715	458	123	40.5	39.2
089588	Palle, TS61, Special.	1	1600	800	139	17	
<b>Total Weight (kg)</b>						746	

Rev.	Latest Revision / Description
A	Første udgave.

<b>tvilum</b>	<b>Kommode 8 skuffer</b> <b>Pepe</b>		INIT:	JR	DATE :	19-10-2023
			REVISION:	<b>A</b>	Approved by:	<b>JR</b>
<b>70073U</b>			<b>DWG.NO.</b>		<b>70073U-70</b>	