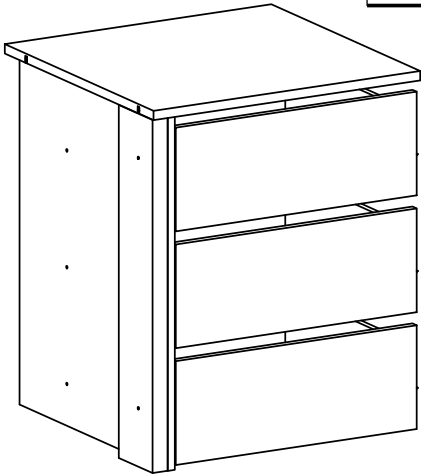
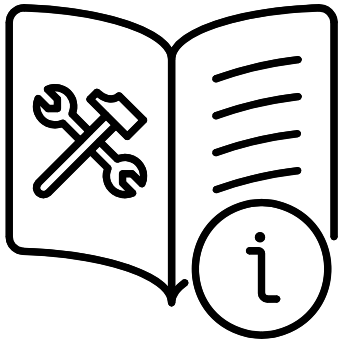
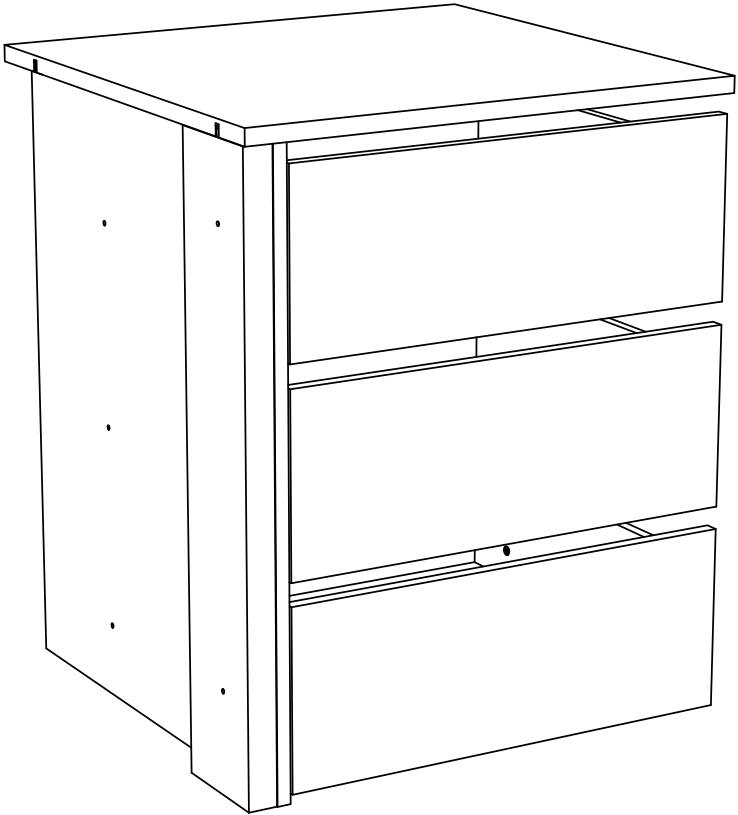
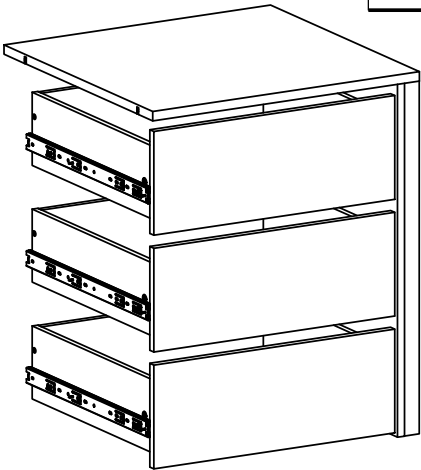


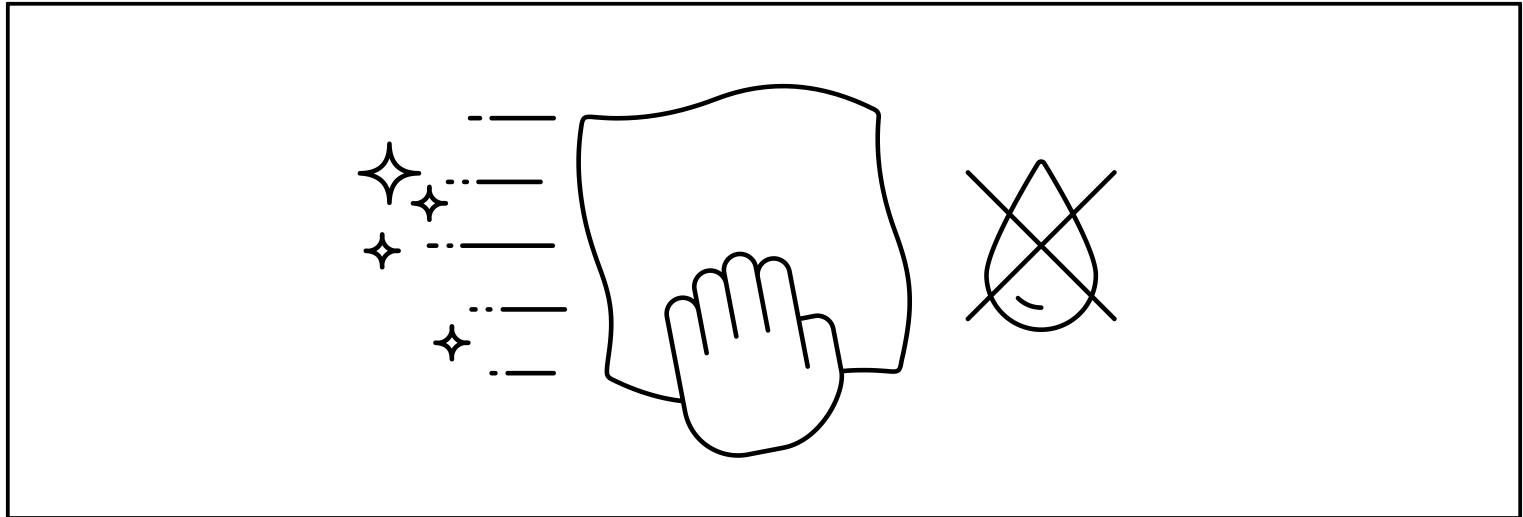
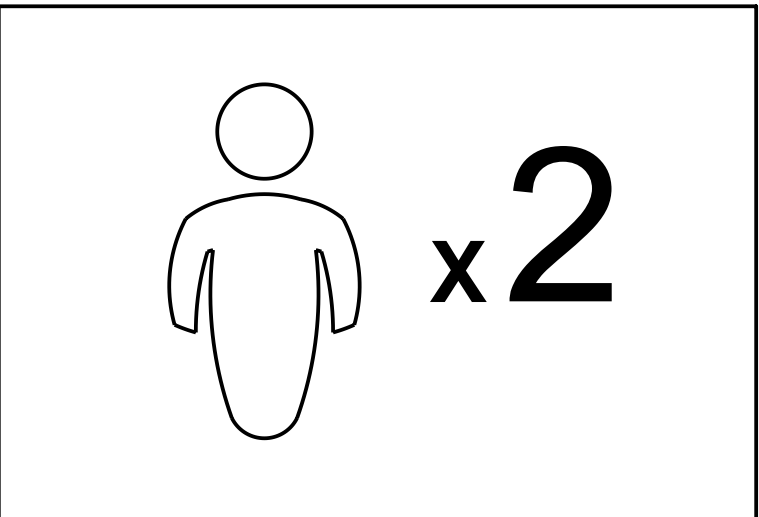
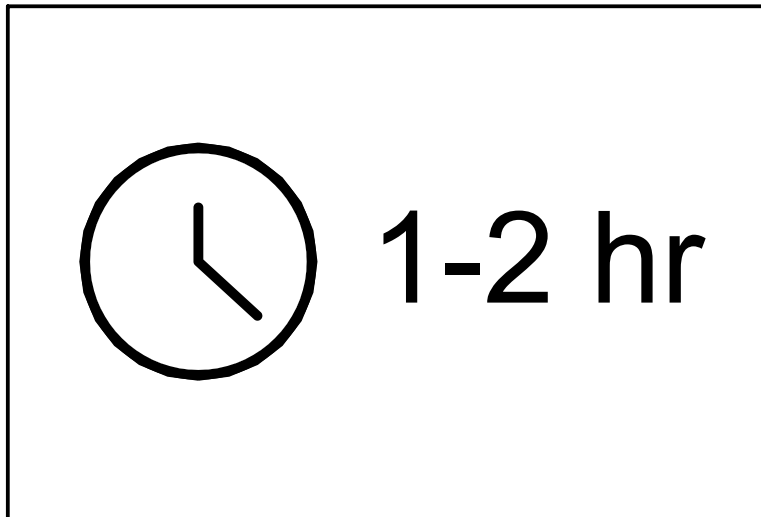
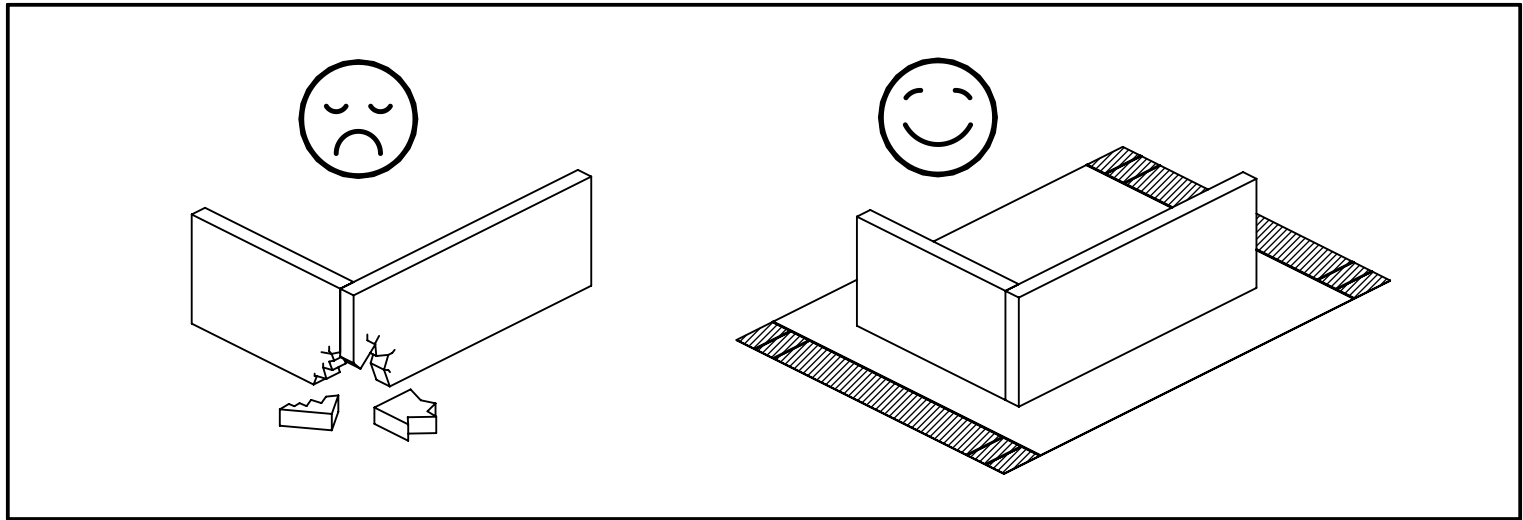
A

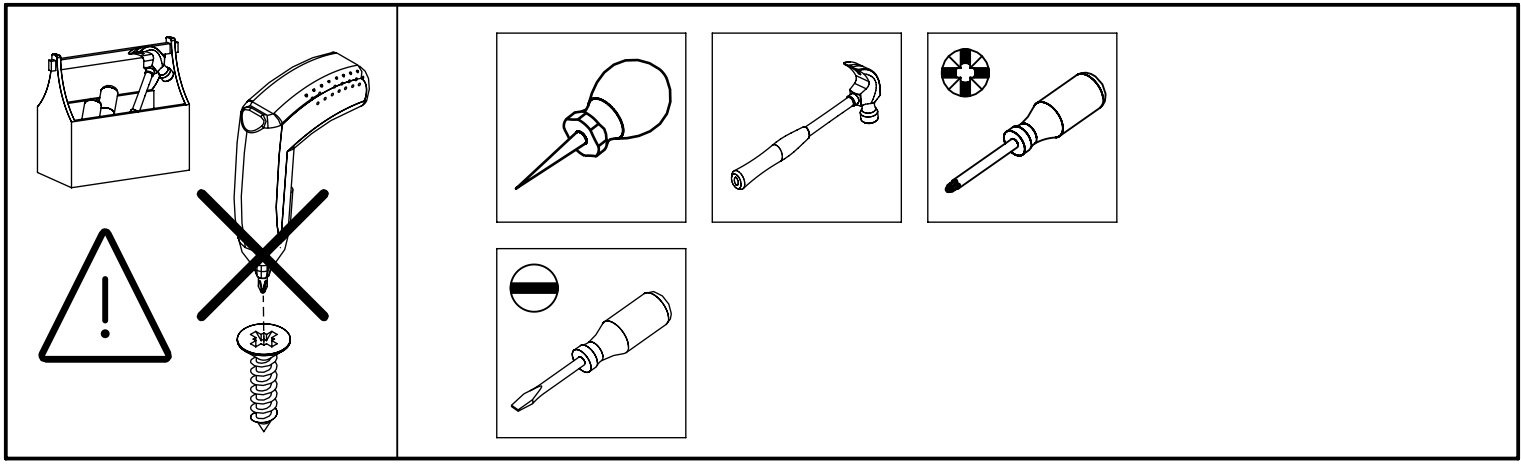


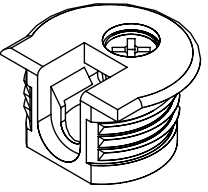
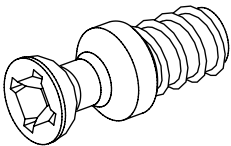
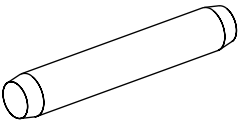
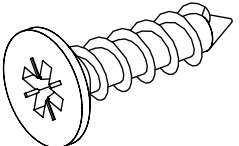
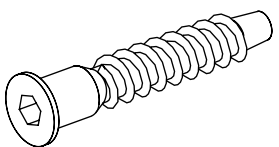
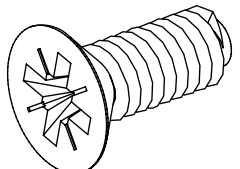
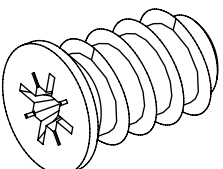
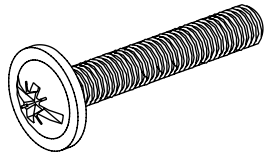
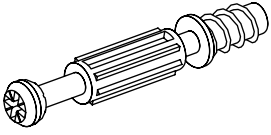
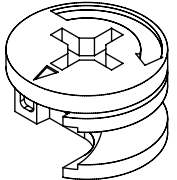
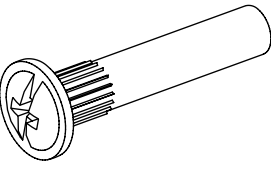
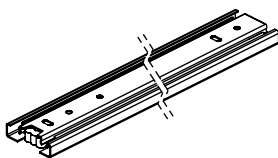
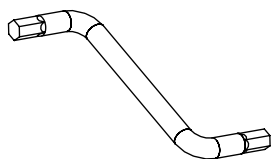
B

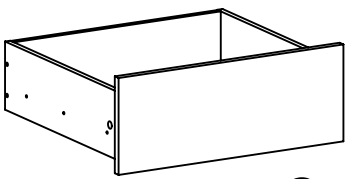
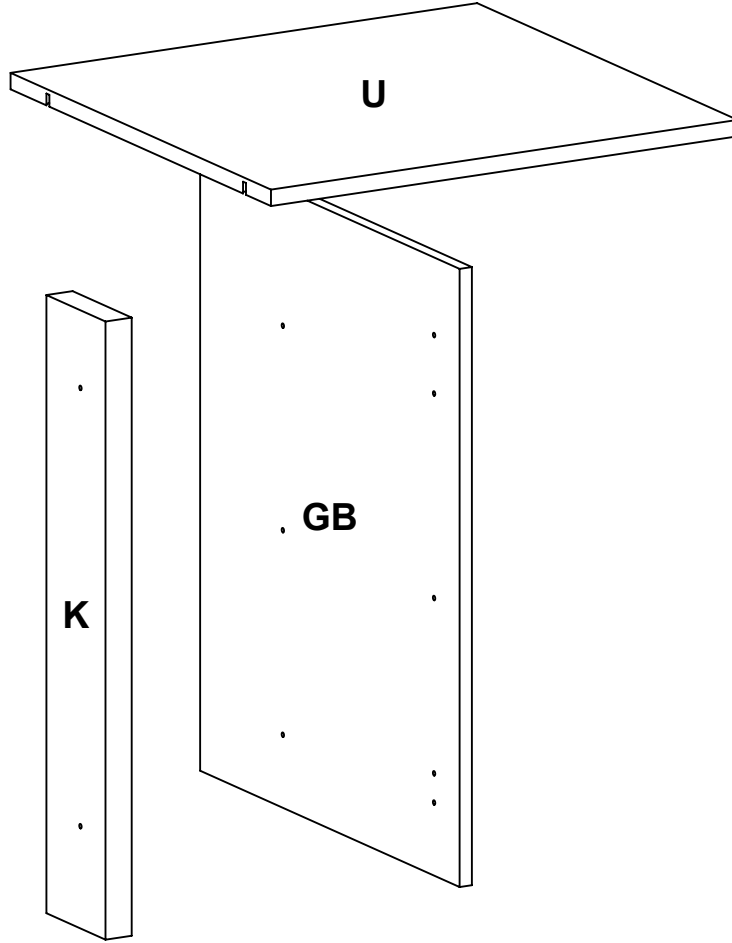
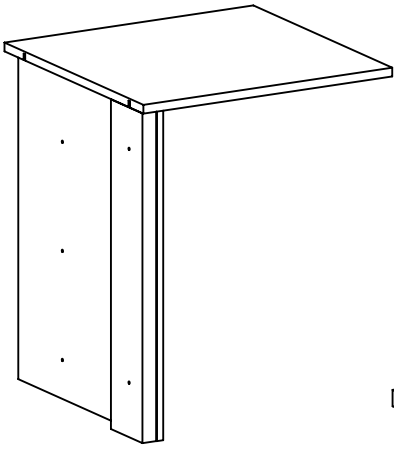


tvilum

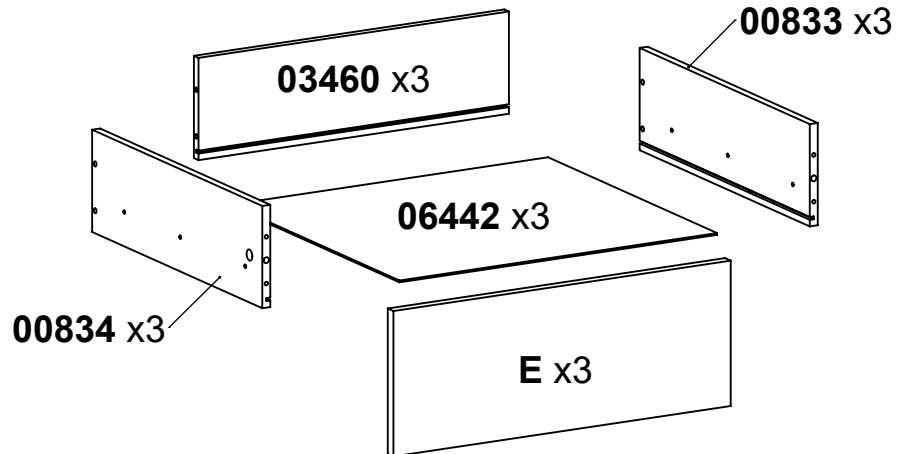


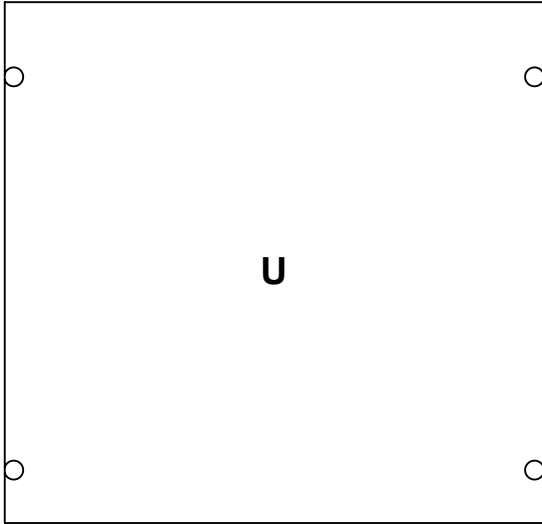


<p>0111229 x4</p>  <p>Ø0.79x0.53/0.49" Ø20x13,5/12,5 mm</p>	<p>0111230 x4</p>  <p>Ø0.26/Ø0.2x0.65" Ø6,5/Ø5x16,5 mm</p>	<p>0120203 x12</p>  <p>Ø0.2x1.18" Ø5x30 mm</p>	<p>0125215 x12</p>  <p>Ø0.12x0.47" Ø3x12 mm</p>	<p>0125632 x12</p>  <p>Ø0.28x1.57" Ø7x40 mm</p>
<p>0126209 x18</p>  <p>M4x0.39" M4x10 mm</p>	<p>0126040 x12</p>  <p>Ø0.25x0.41" Ø6,3x10,5 mm</p>	<p>0126302 x2</p>  <p>M4x1.77" M4x45 mm</p>	<p>0131513 x6</p>  <p>Ø0.30x1.73/1.34" Ø7,5x44/34 mm</p>	<p>0131687 x6</p>  <p>Ø0.59x0.37" Ø15x9,5 mm</p>
<p>0132205 x18</p>  <p>Ø0.2x0.43" Ø5x11 mm</p>	<p>0132216 x2</p>  <p>Ø0.2x1.06" Ø5x27 mm</p>	<p>0142018 x3</p>  <p>1.18x17.72" 30x450 mm</p>	<p>0197642 x1</p>  <p>0.16x1.93x1.46" 4x49x37 mm</p>	

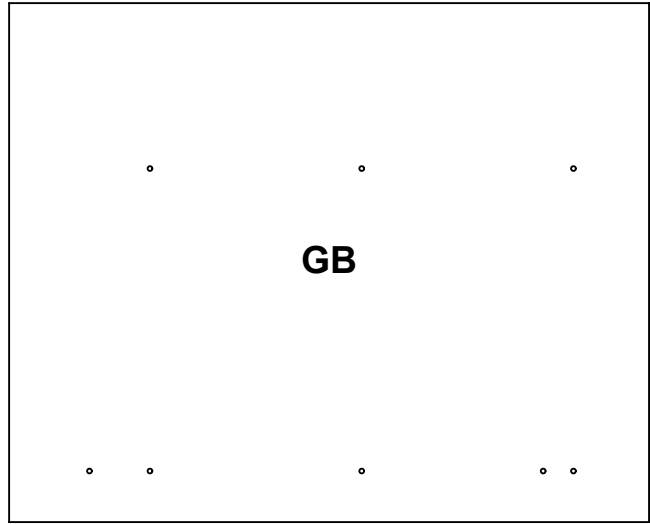


x3





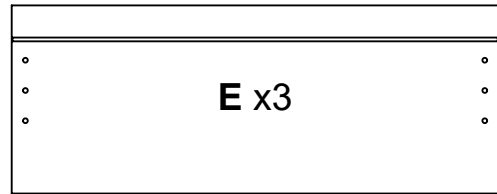
570x551x18mm



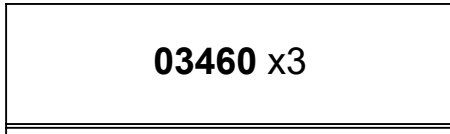
677x549x15mm



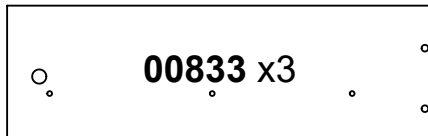
677x125x32mm



515x199x15mm



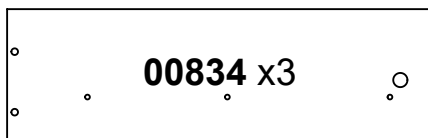
474x140x12,2mm



450x140x12,2mm



485x447x2,5mm

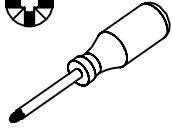
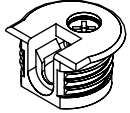


450x140x12,2mm

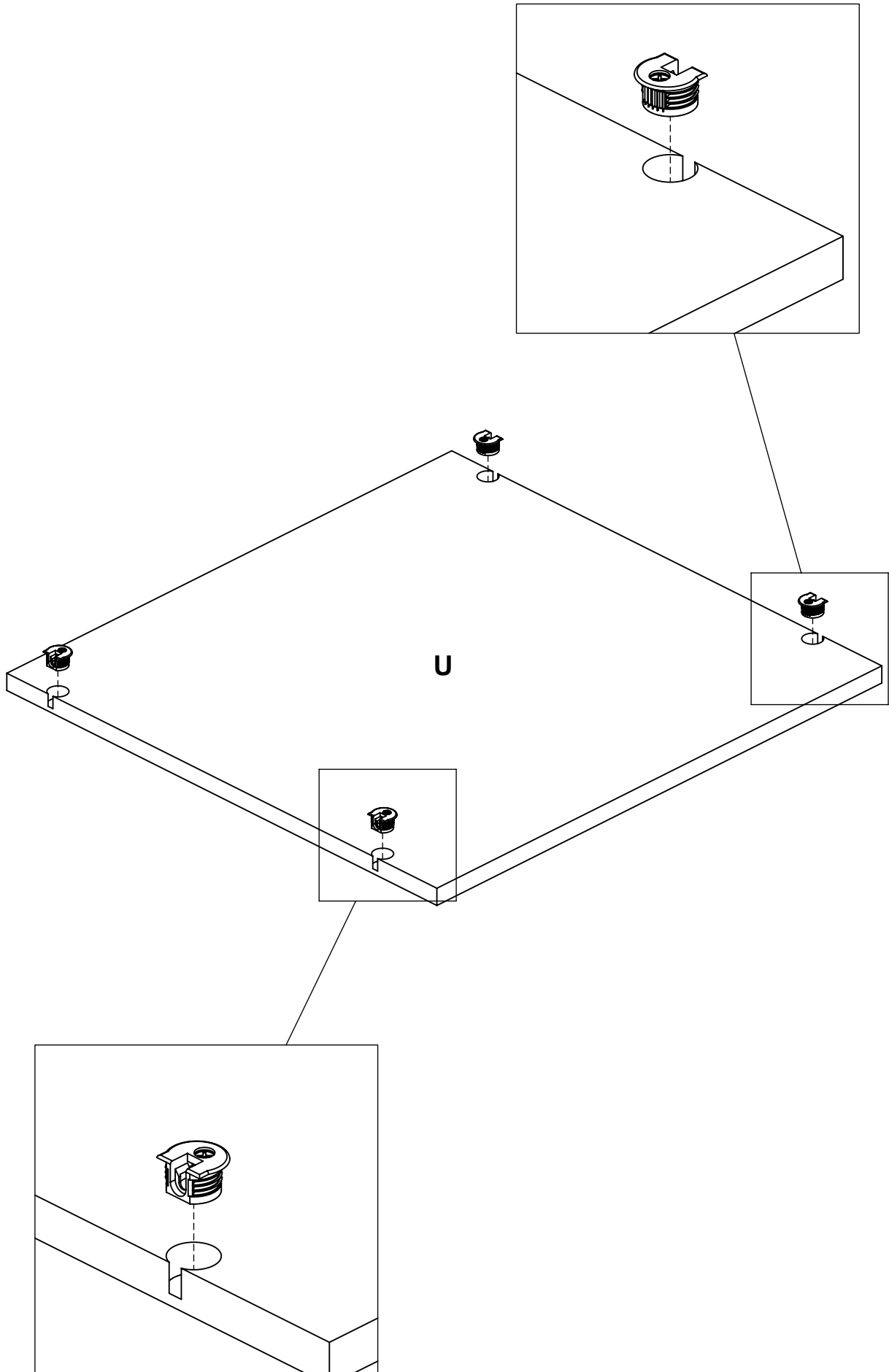
1

0111229

x4

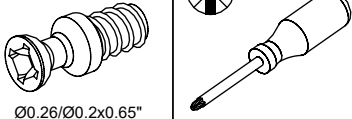


Ø0.79x0.53/0.49"
Ø20x13.5/12.5 mm

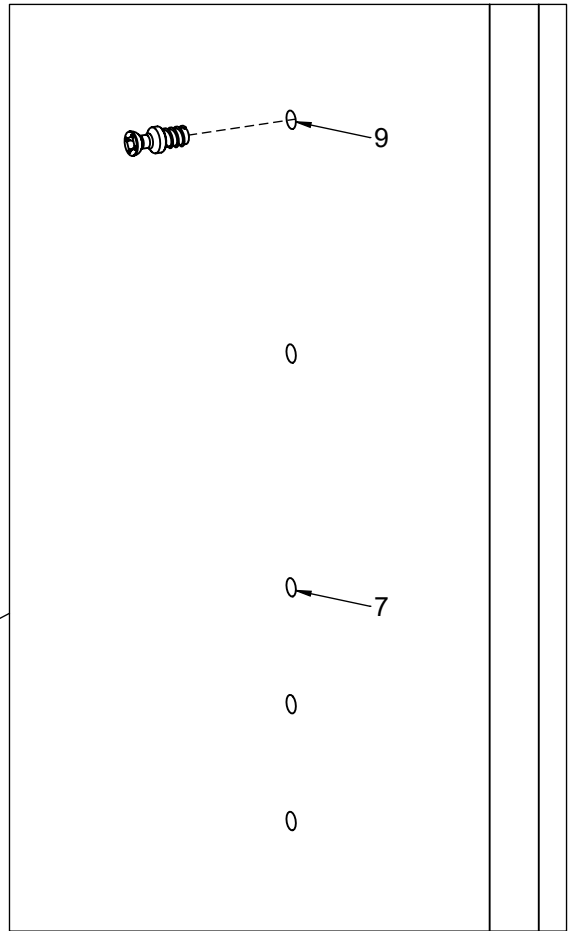
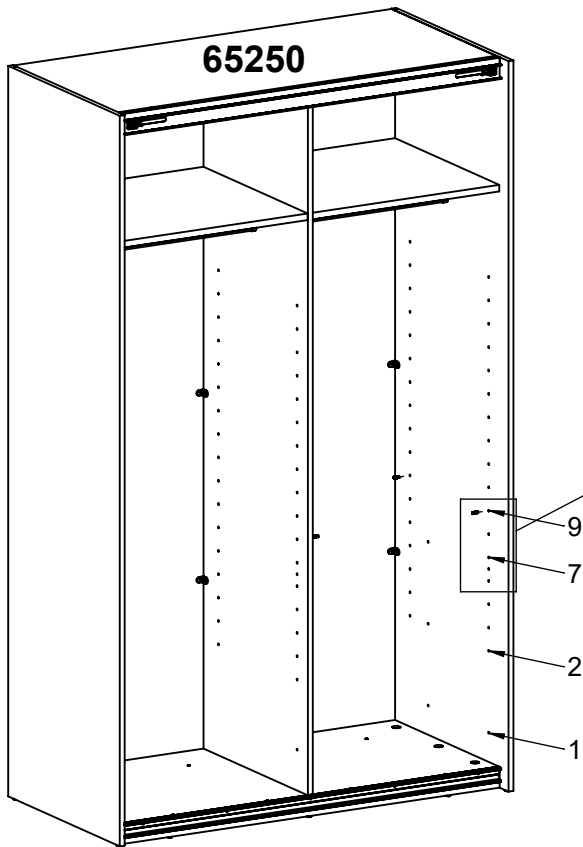


2A

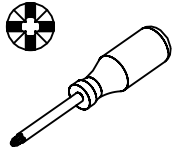
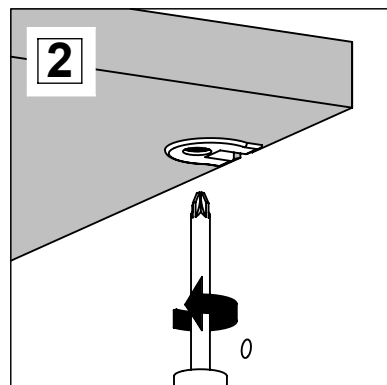
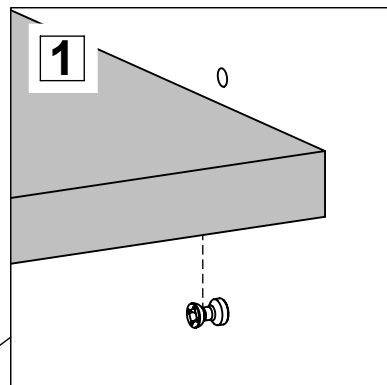
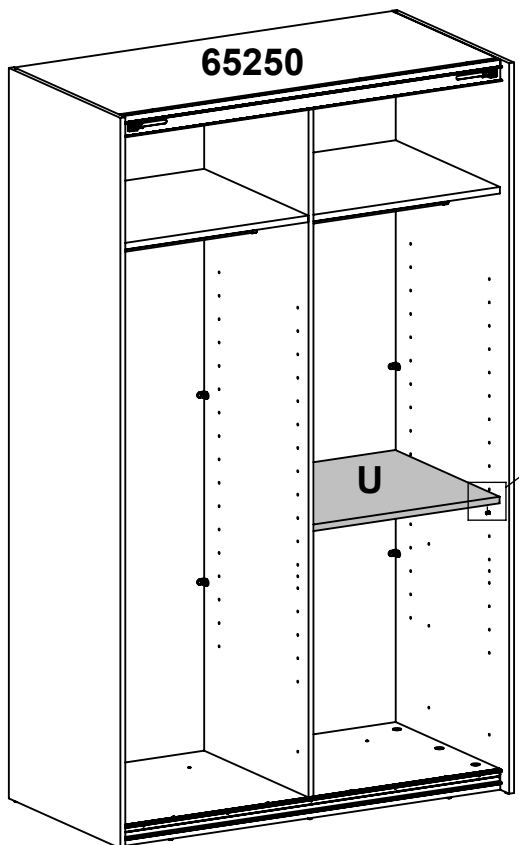
0111230 **x4**



Ø0.26/Ø0.2x0.65"
Ø6.5/Ø5x16.5 mm



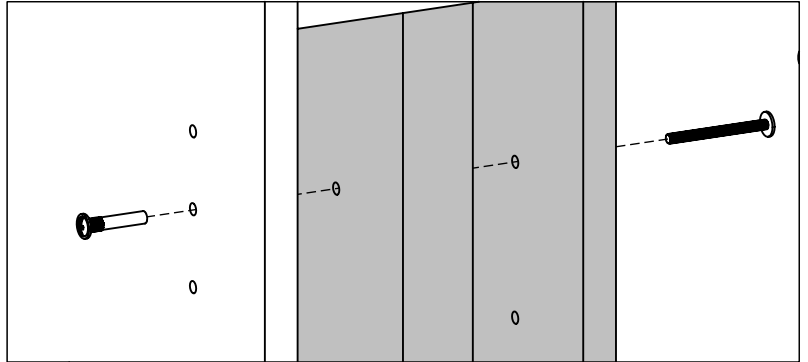
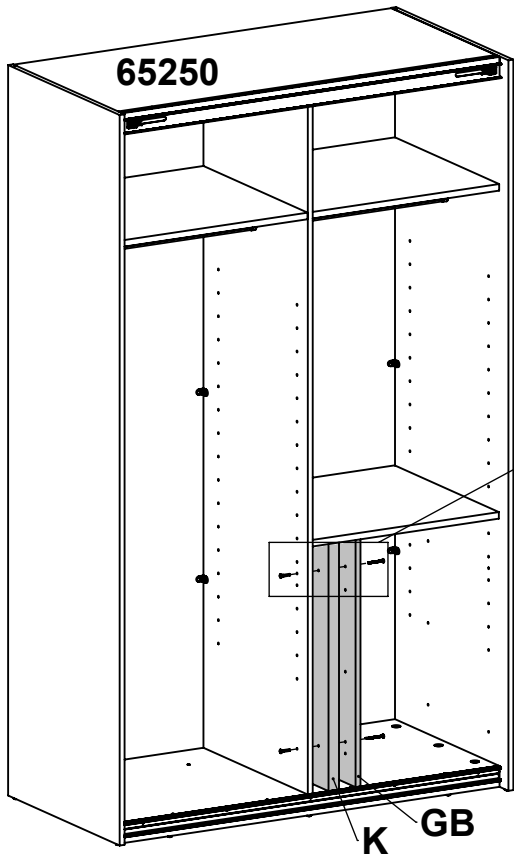
3A

4A

0126302 **x2** M4x1.77"
M4x45 mm

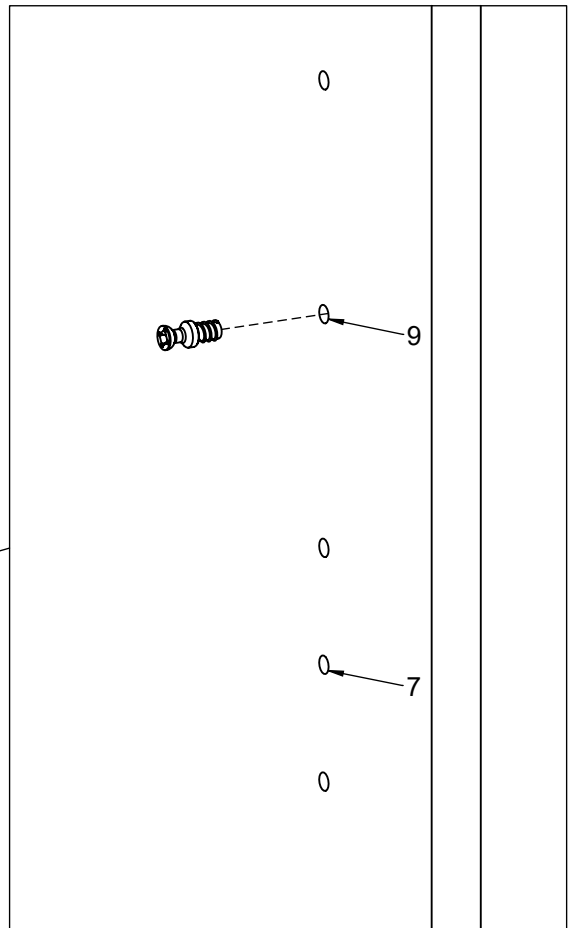
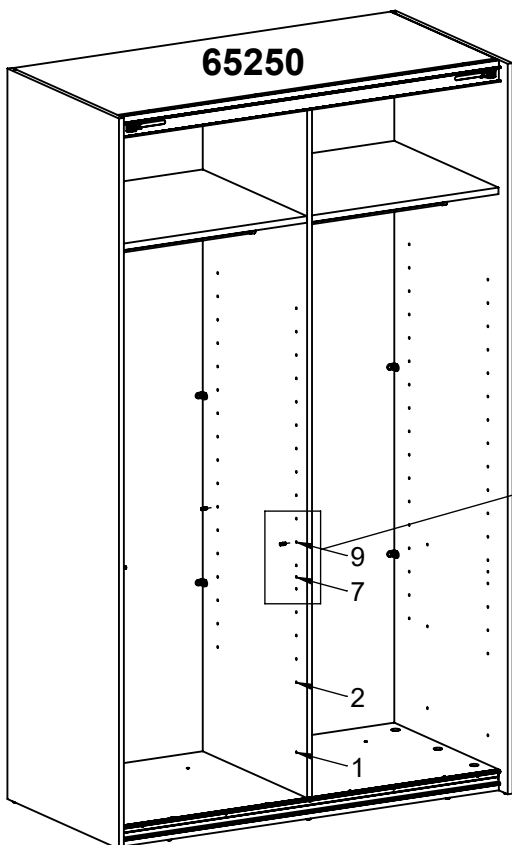
0132216 **x2** Ø0.2x1.06"
Ø5x27 mm



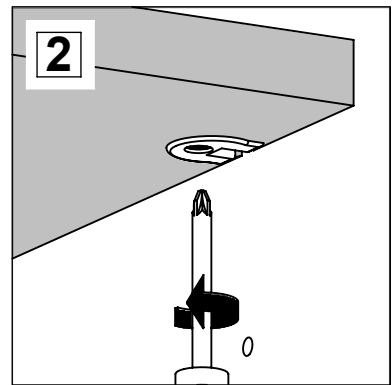
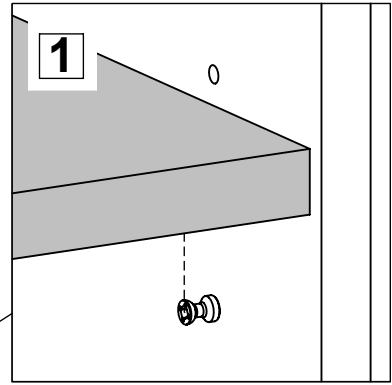
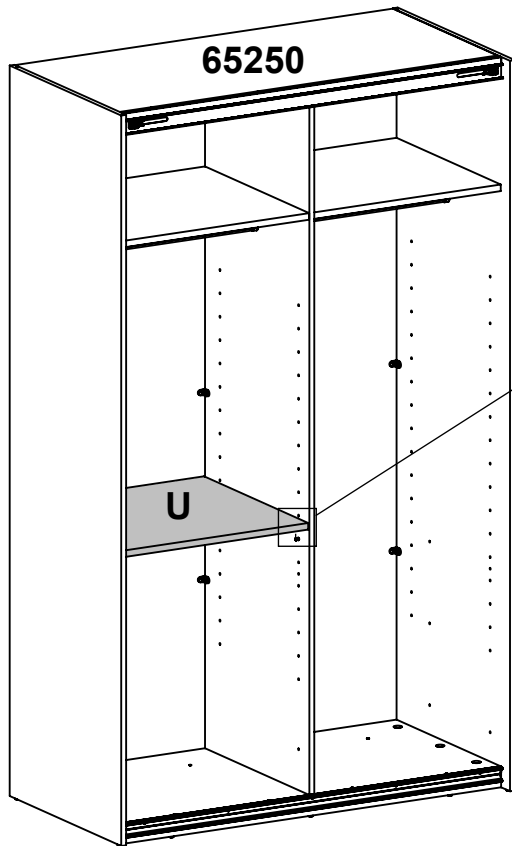
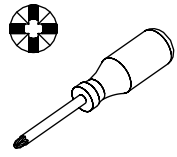
2B

0111230 **x4**

Ø0.26/Ø0.2x0.65"
Ø6.5/Ø5x16.5 mm



3B



4B

0126302

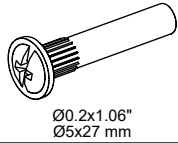
x2



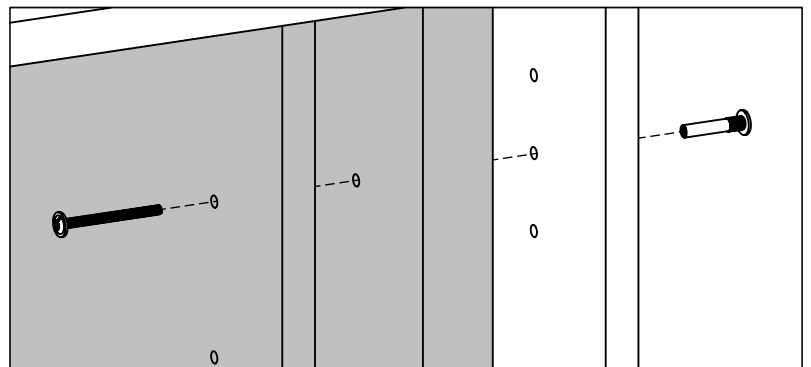
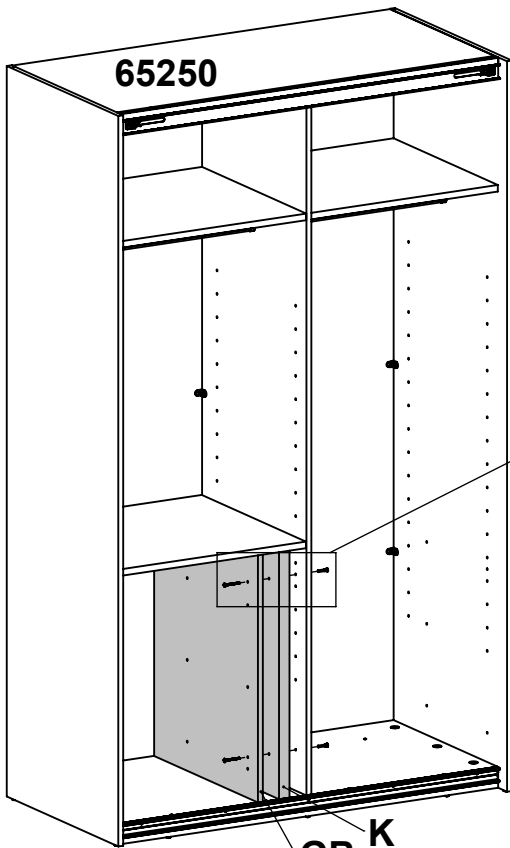
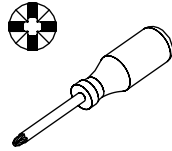
M4x1.77"
M4x45 mm

0132216

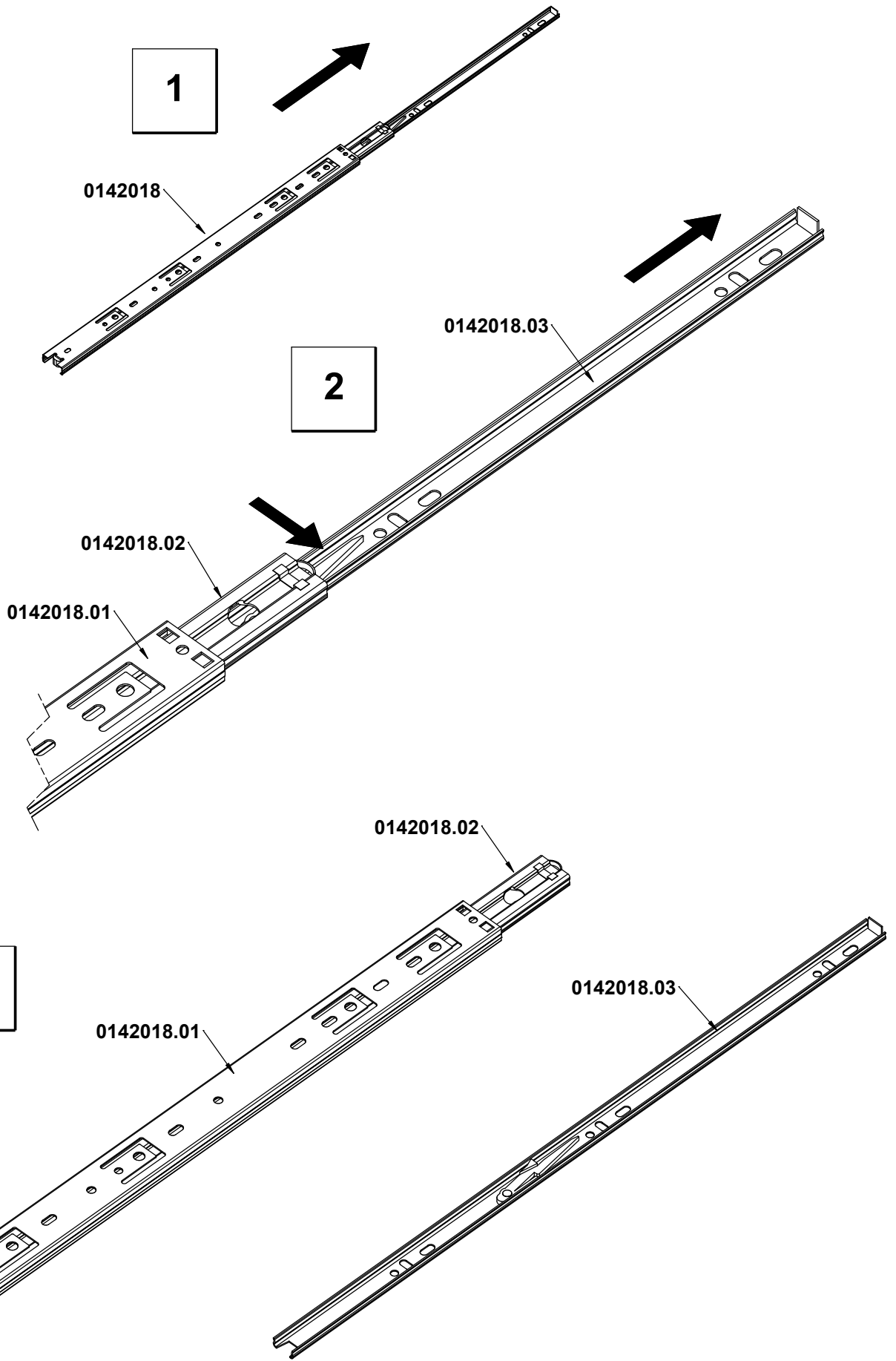
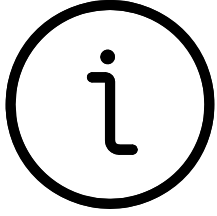
x2



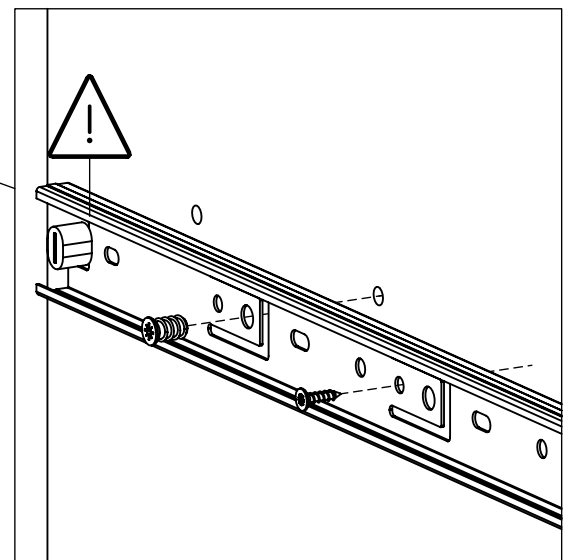
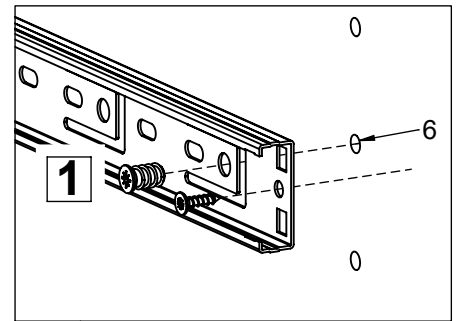
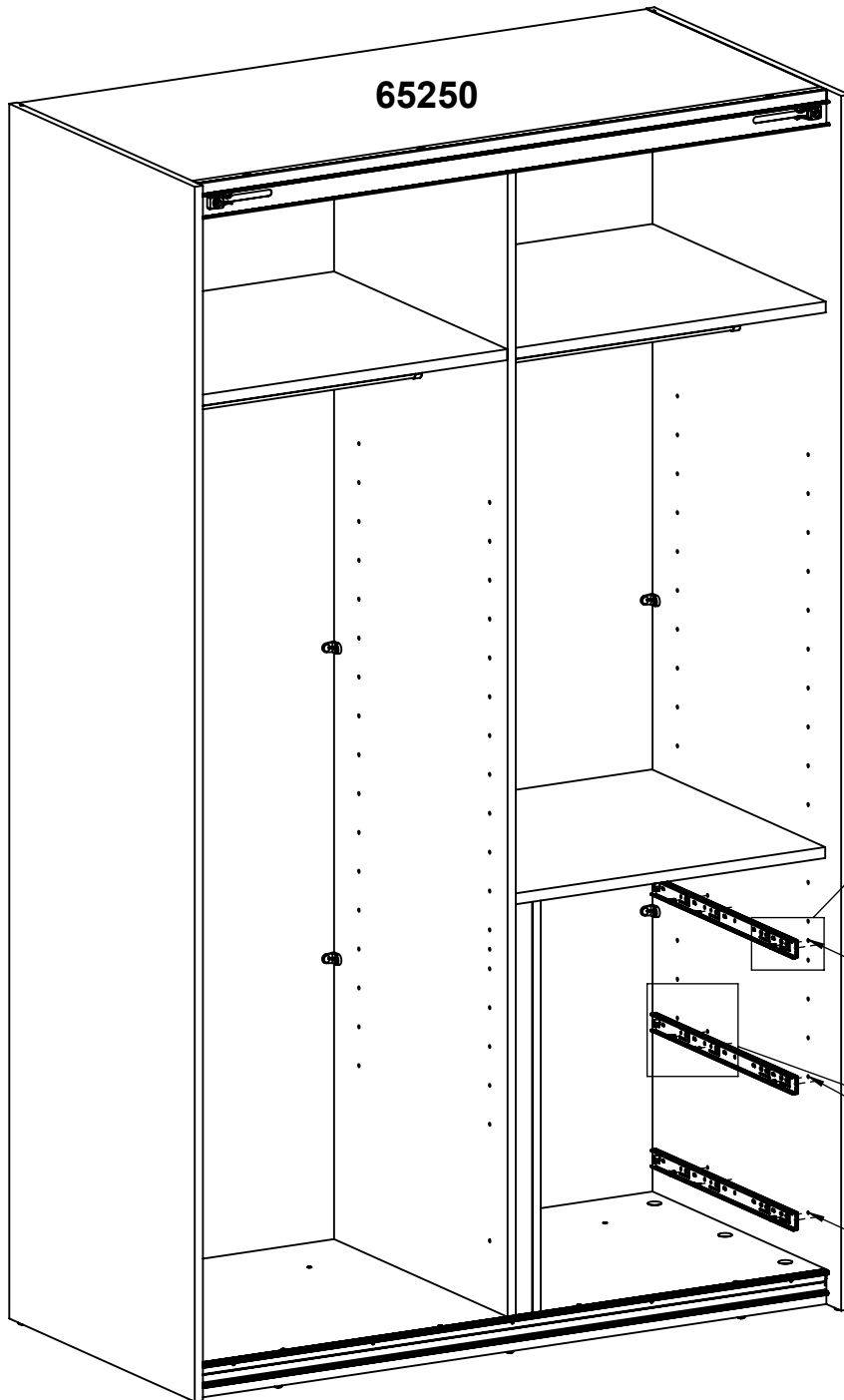
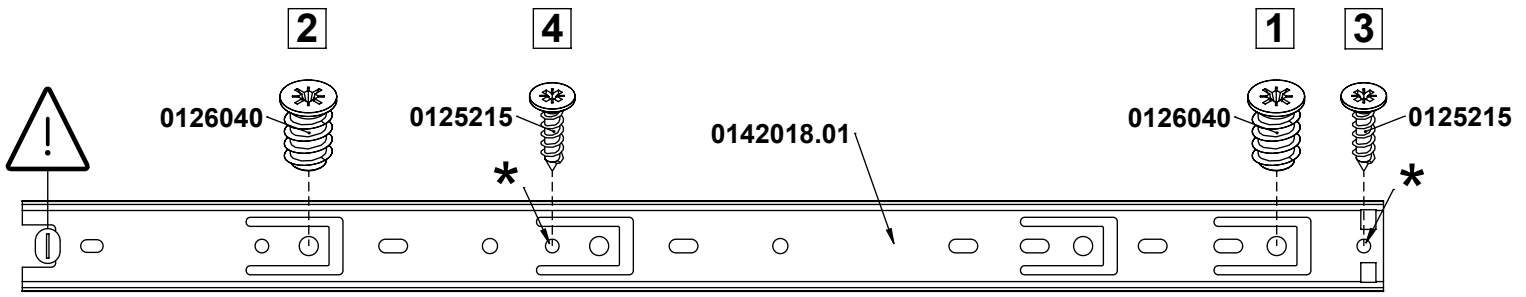
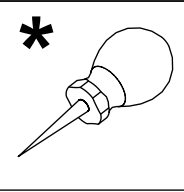
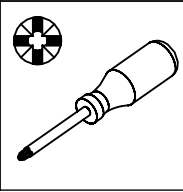
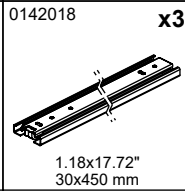
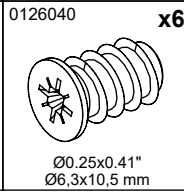
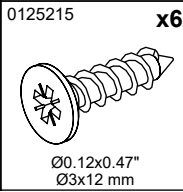
Ø0.2x1.06"
Ø5x27 mm

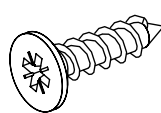
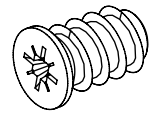
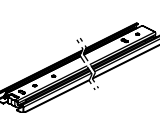
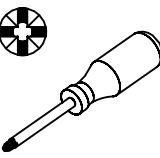
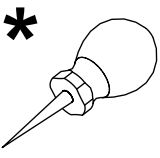


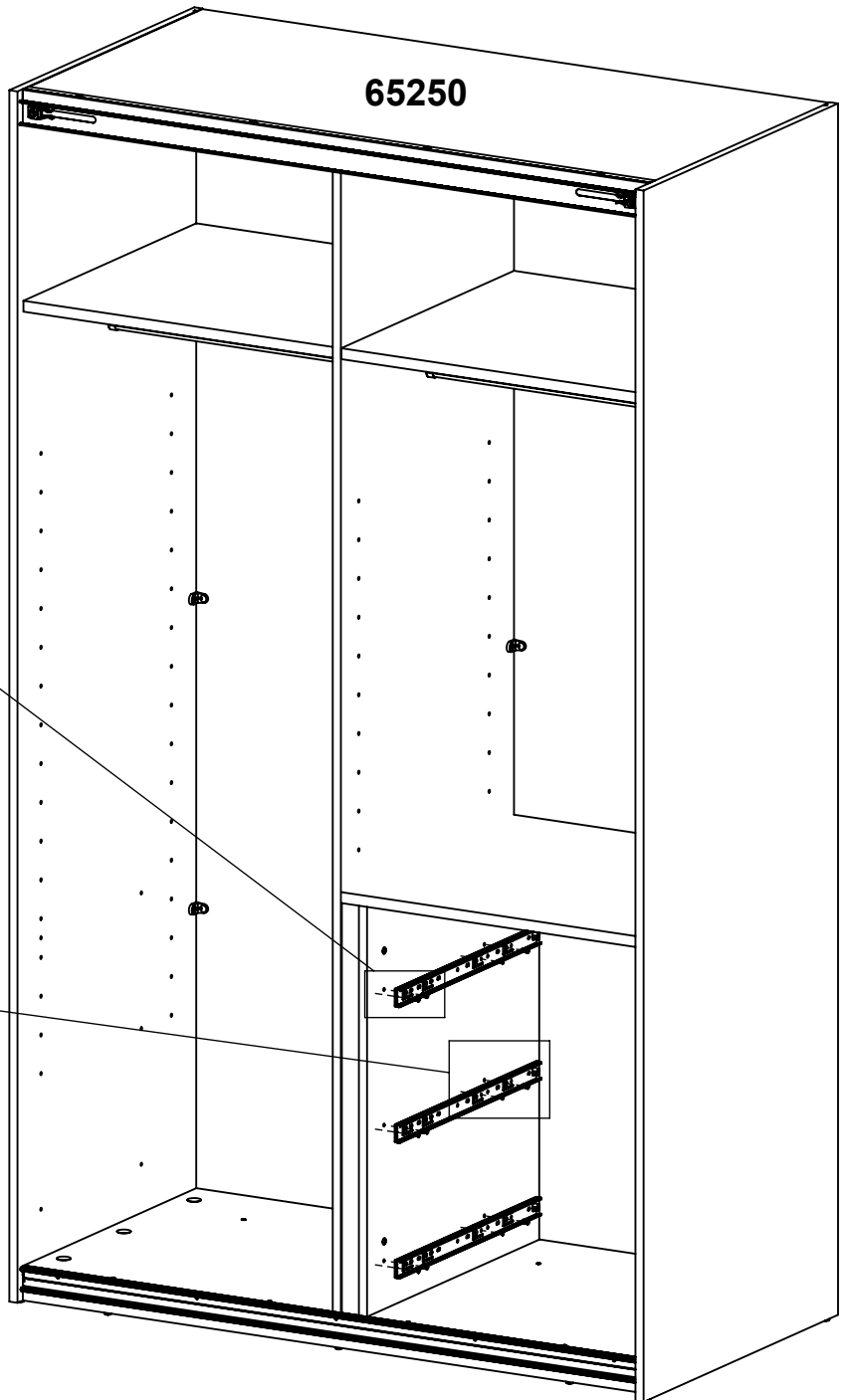
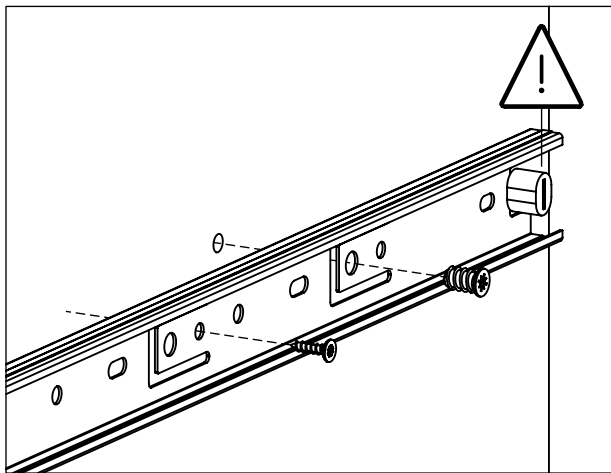
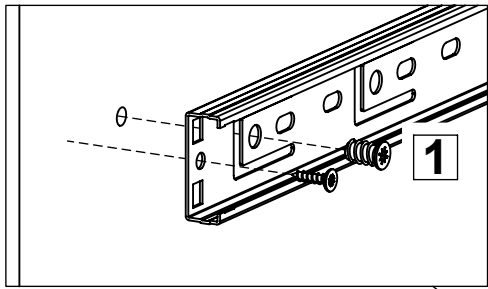
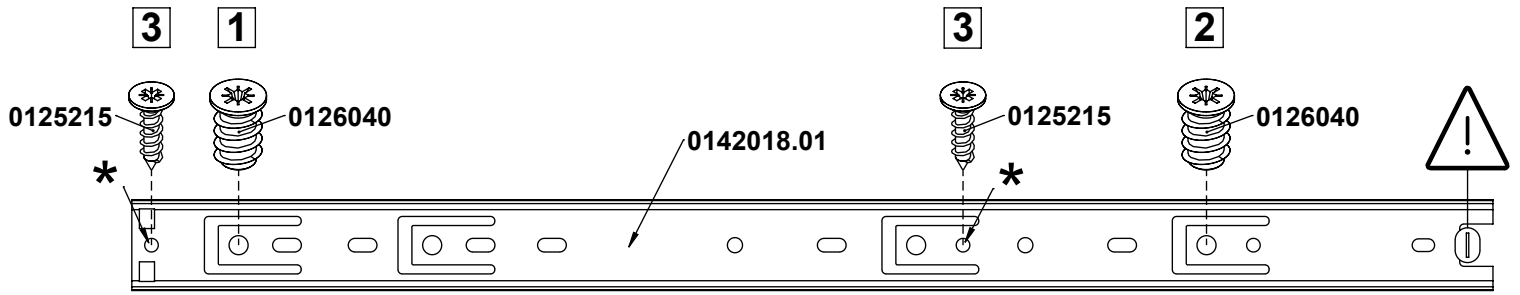
5



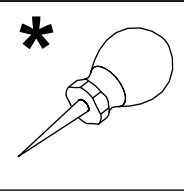
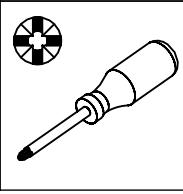
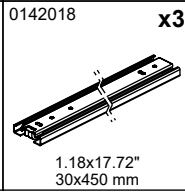
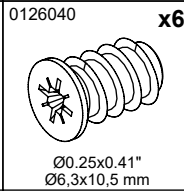
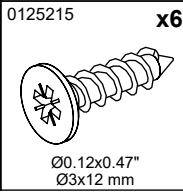
6A



<h1>7A</h1>	<p>0125215 x6</p>  <p>Ø0.12x0.47" Ø3x12 mm</p>	<p>0126040 x6</p>  <p>Ø0.25x0.41" Ø6,3x10,5 mm</p>	<p>0142018 x3</p>  <p>1.18x17.72" 30x450 mm</p>		
-------------	---	---	--	--	--



6B

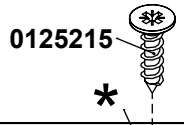


2

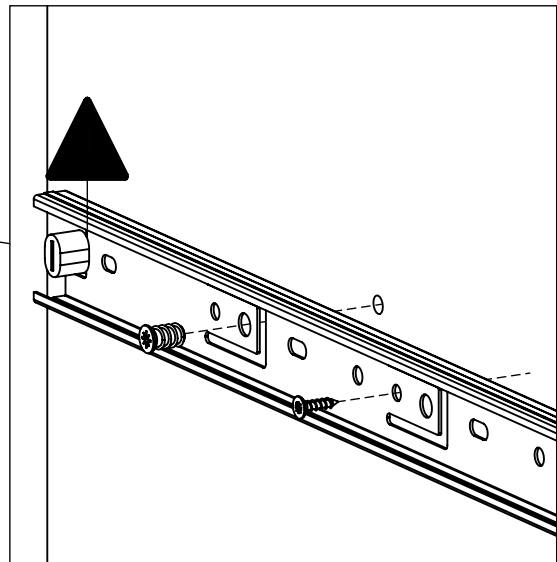
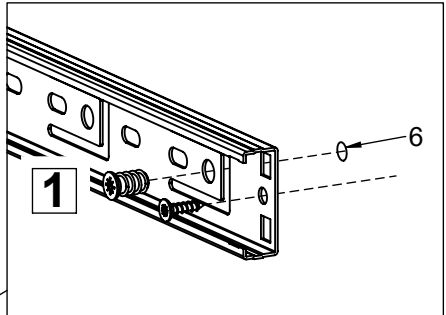
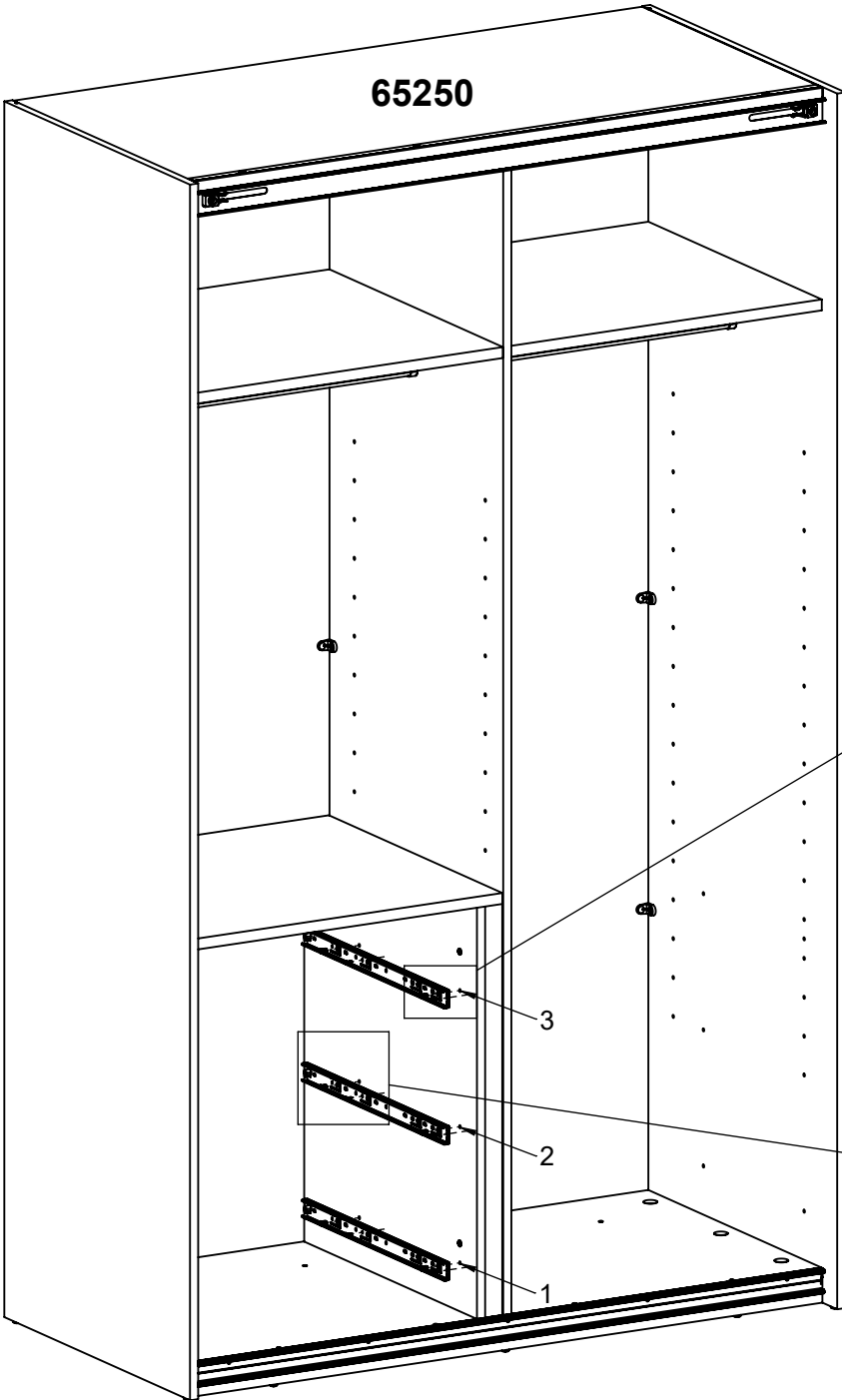
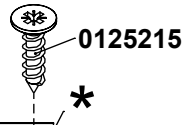
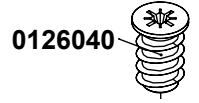
4

1

3



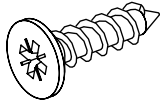
0142018.01



7B

0125215

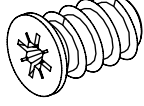
x6



Ø0.12x0.47"
Ø3x12 mm

0126040

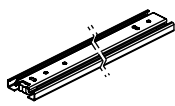
x6



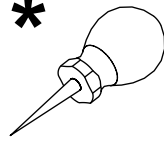
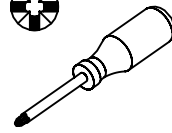
Ø0.25x0.41"
Ø6,3x10,5 mm

0142018

x3



1.18x17.72"
30x450 mm



3

1

0125215 0126040

3

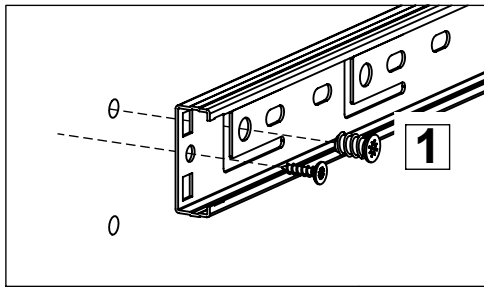
2

0125215 0126040

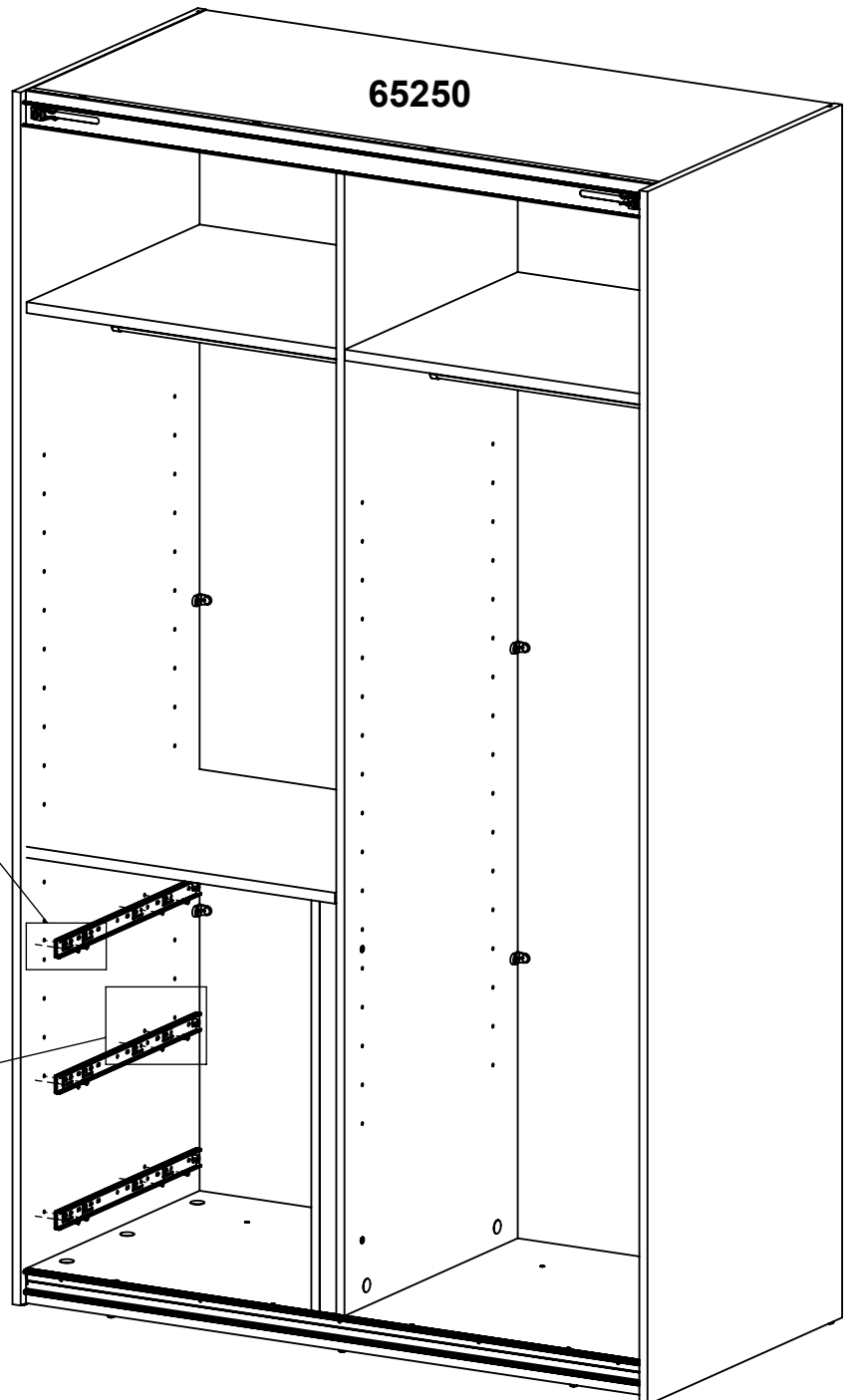
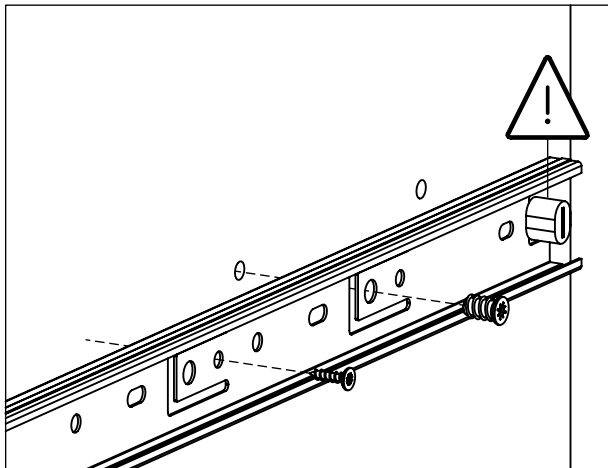
0142018.01



65250



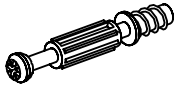
1



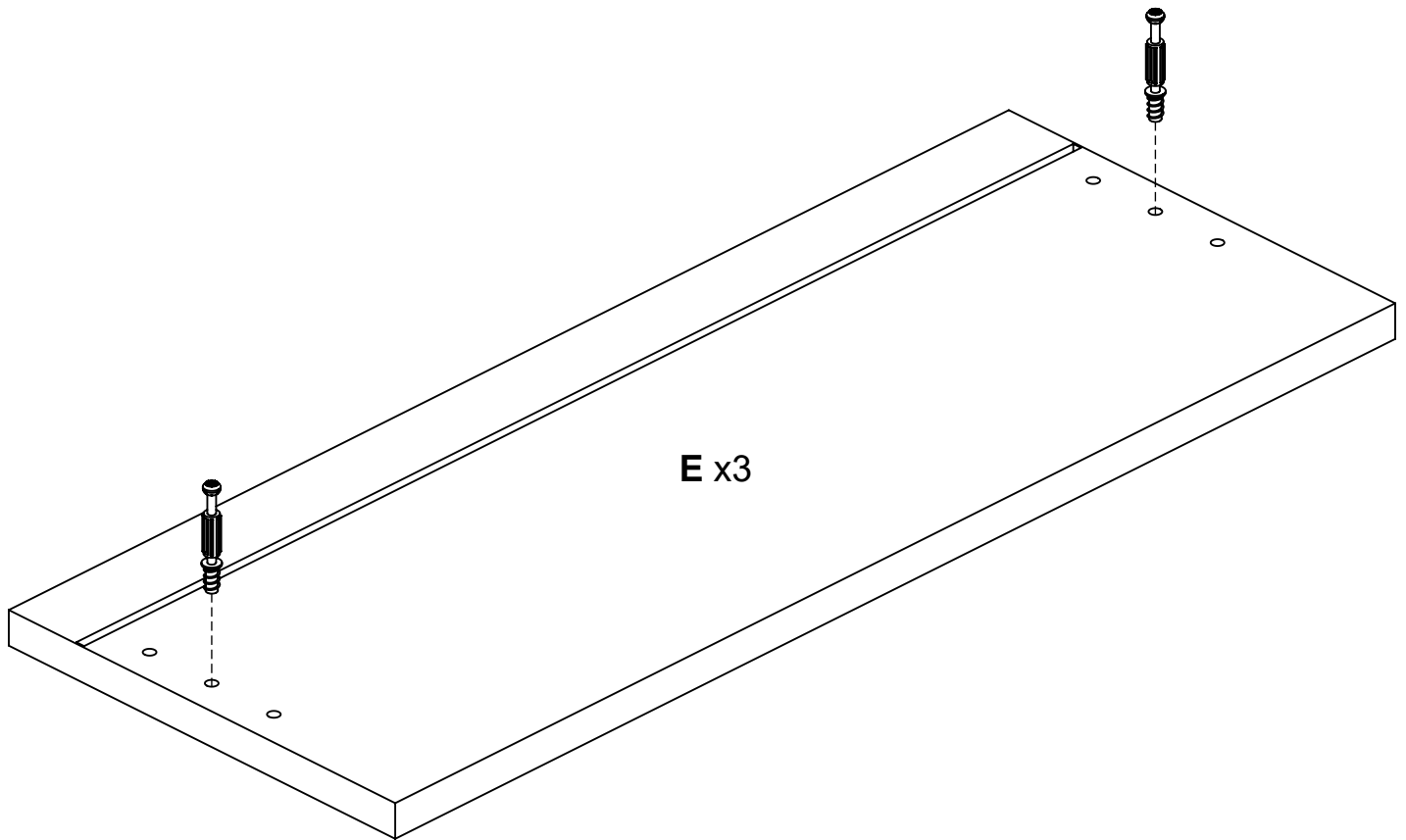
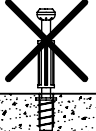
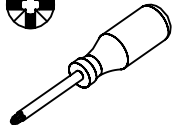
8

0131513

x6



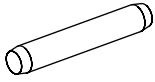
Ø0.30x1.73/1.34"
Ø7,5x44/34 mm



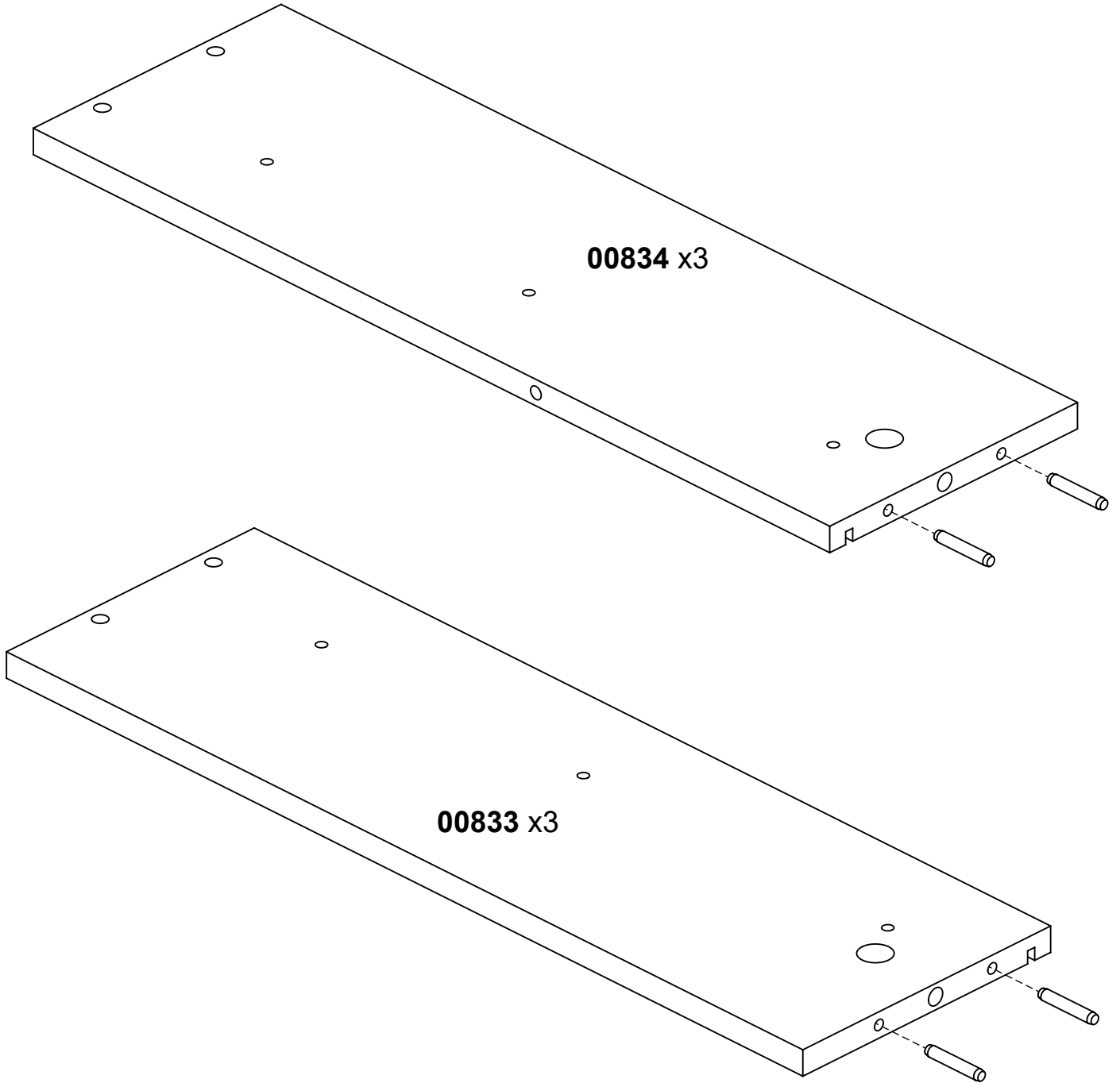
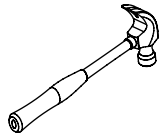
9

0120203

x12



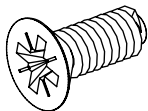
Ø0.2x1.18"
Ø5x30 mm



10

0126209

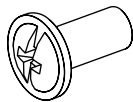
x18



M4x0.39"
M4x10 mm

0132205

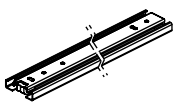
x18



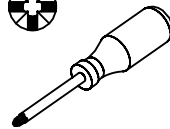
Ø0.2x0.43"
Ø5x11 mm

0142018

x3



1.18x17.72"
30x450 mm

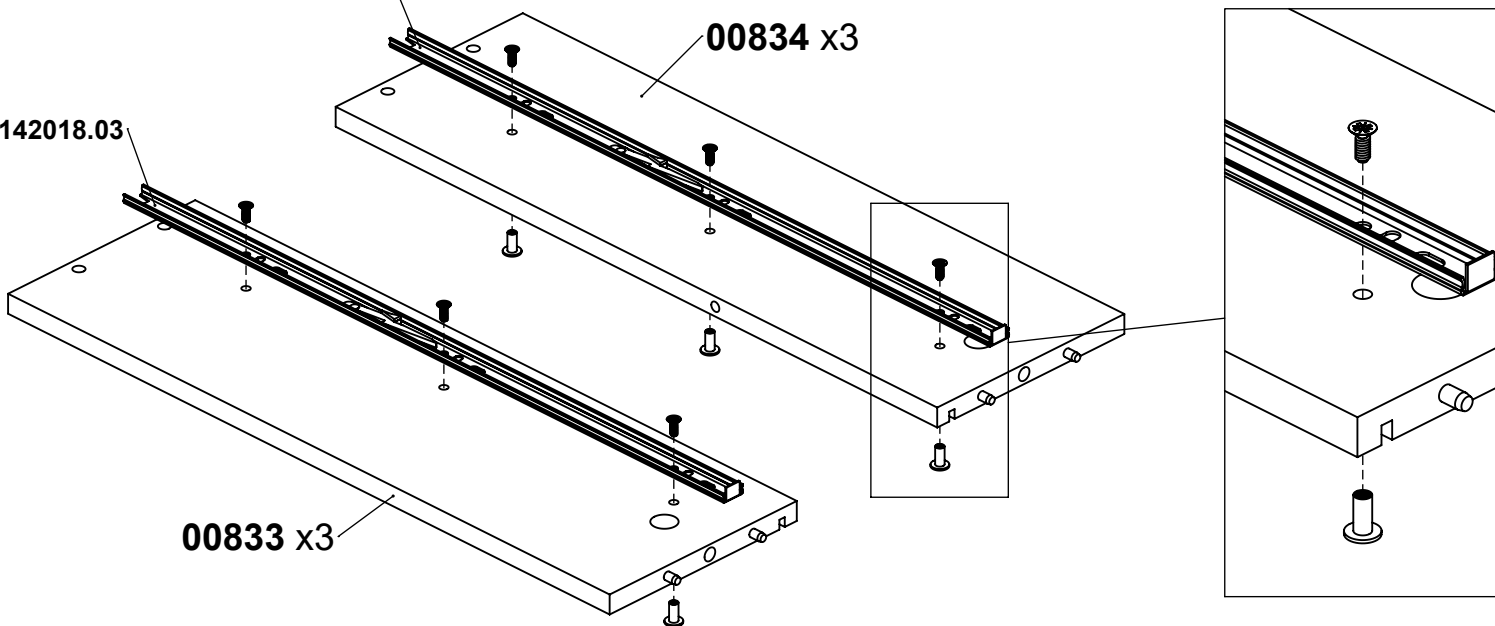


0142018.03

00834 x3

0142018.03

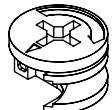
00833 x3



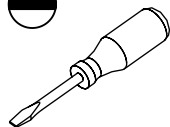
11

0131687

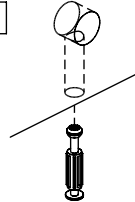
x6



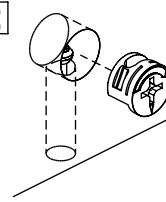
Ø0.59x0.37"
Ø15x9.5 mm



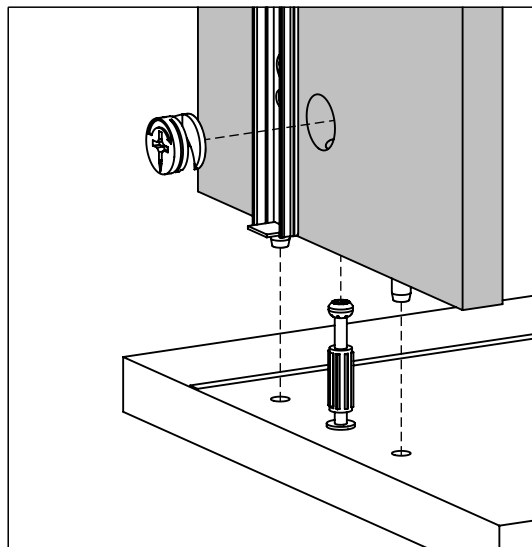
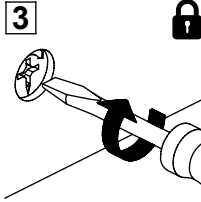
1



2



3

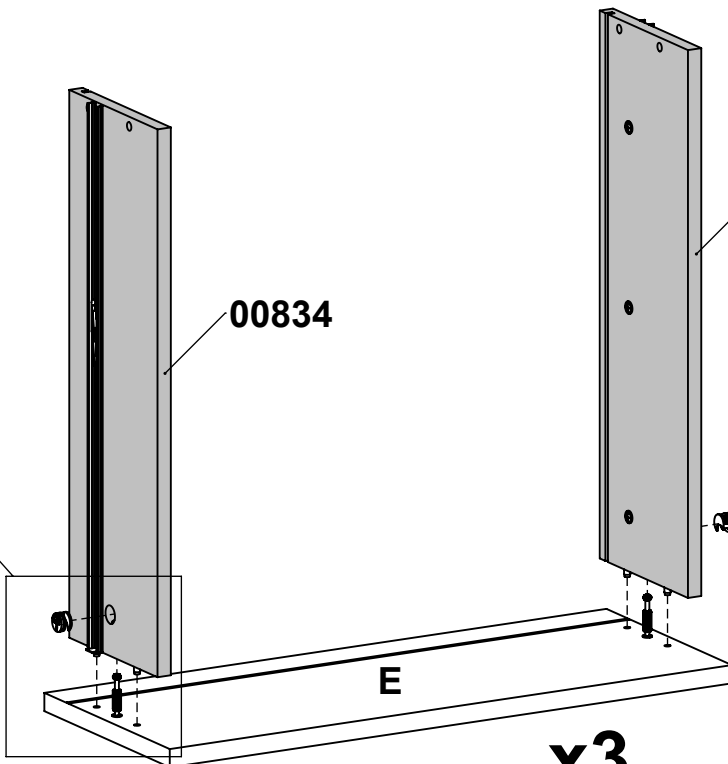


00834

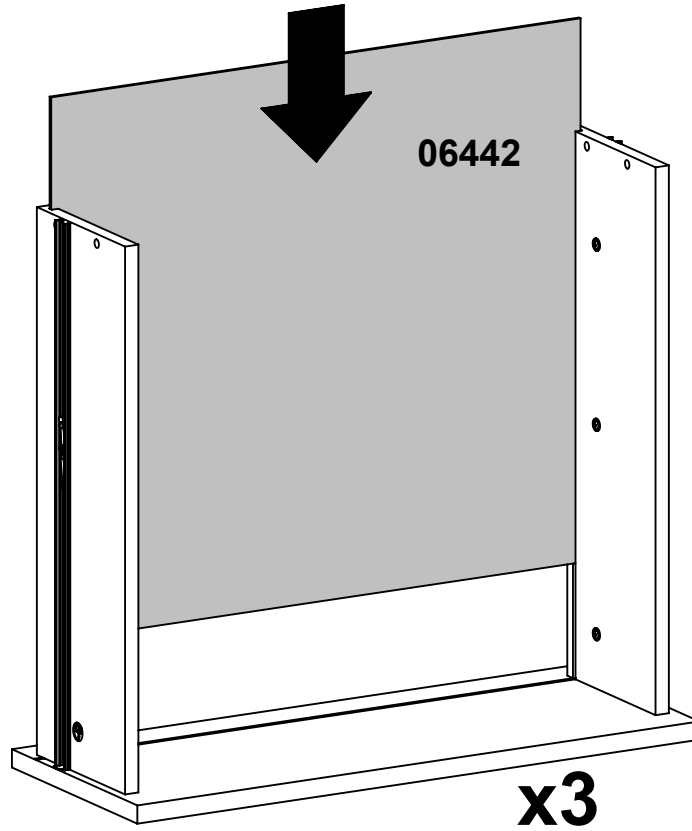
00833

E

x3



12



13

