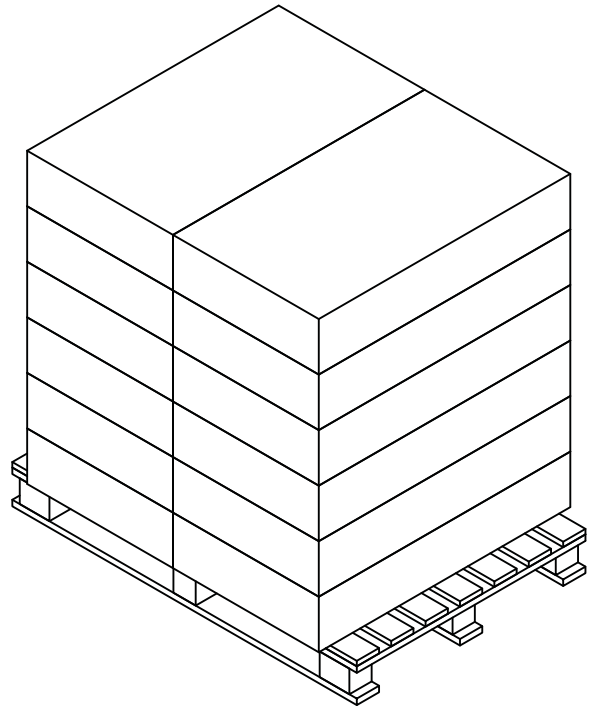
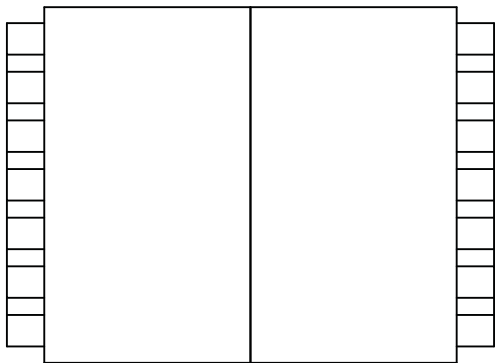
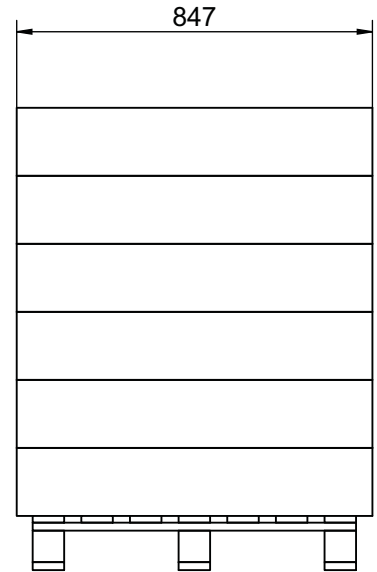
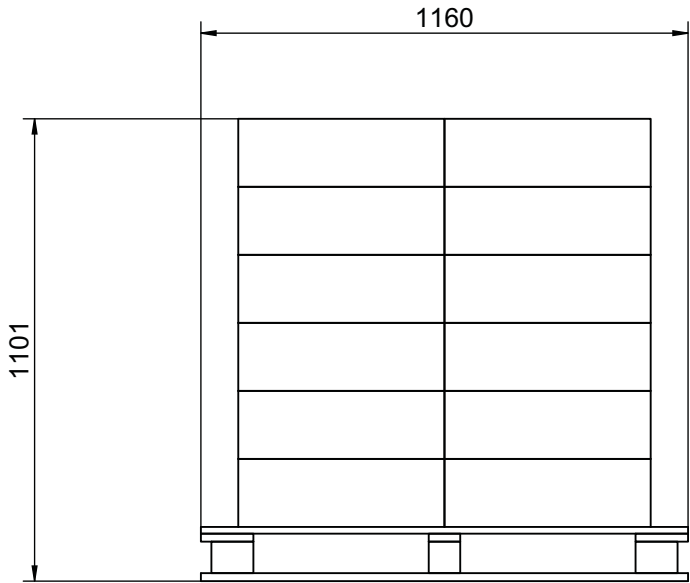


PALLETIZING

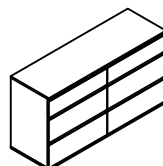


Rev.	Latest Revision / Description						
A	Første udgave.						
Item number	Component	Pcs.	L	W	T	Gross weight in kg	Net weight in kg
089122y	Palle, TS50, Special.	1	1160	770	129		
Box 1 af 2		12	847	491	162	31,5	30,8

tvilum

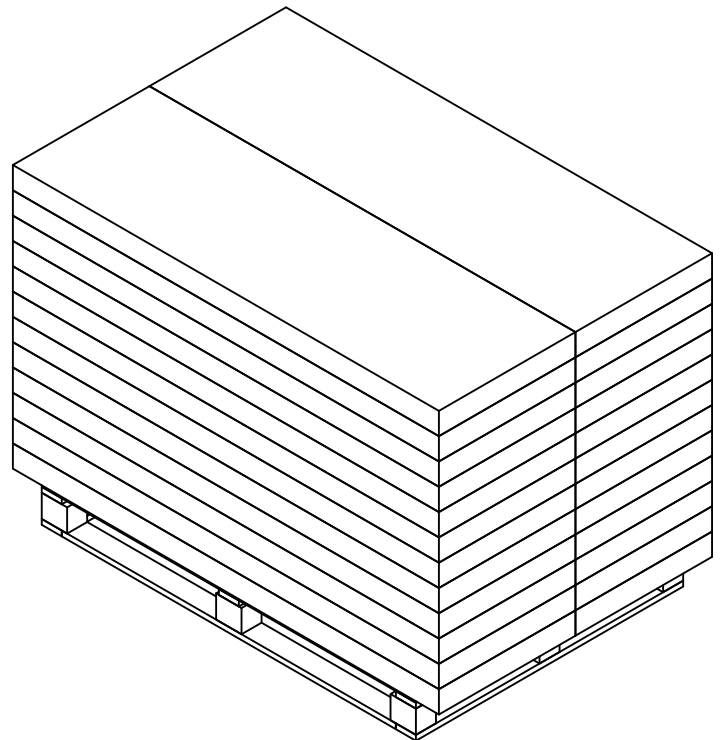
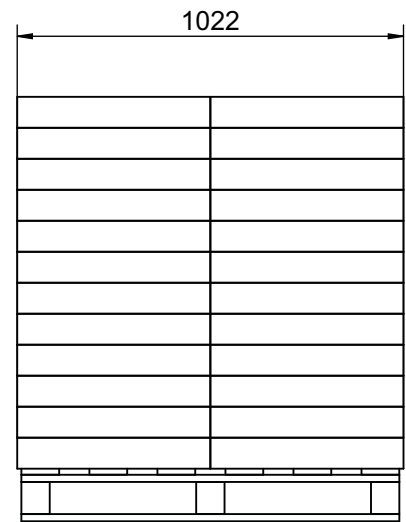
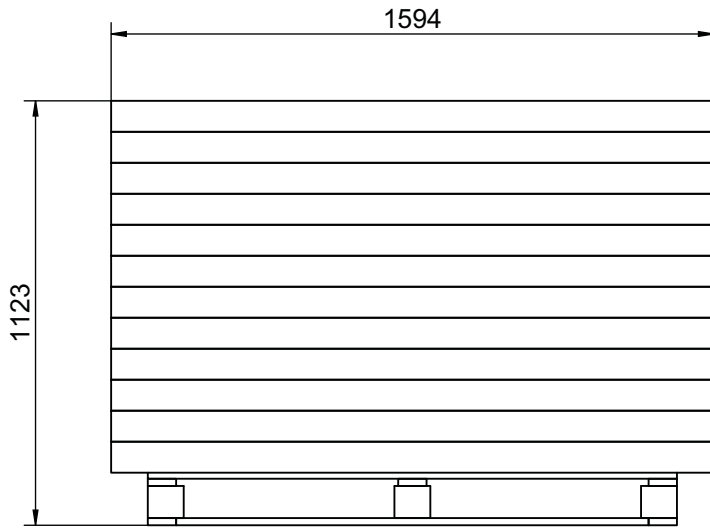
71252

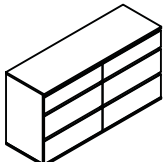
Kommode 6 skuffer
Nova



INIT:	JR	DATE :	12-06-2018
REVISION:	A	Approved by:	JR
DWG.NO.		71252-70	

PALLETIZING



Rev.	Latest Revision / Description						
A	Første udgave.						
Item number	Component	Pcs.	L	W	T	Gross weight in kg	Net weight in kg
089143	Palle, TS29A, Special.	1	1400	1000	139		
Box 2 af 2		24	1594	511	82	37,8	36,9
tvilum	Kommode 6 skuffer Nova		INIT:	JR	DATE :	12-06-2018	
			REVISION:	A	Approved by:	BJKA	
71252			DWG.NO.		71252-70		