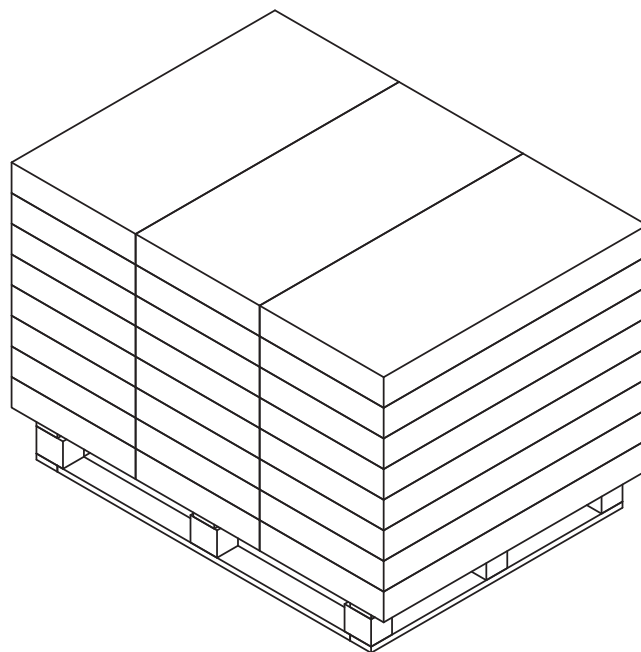
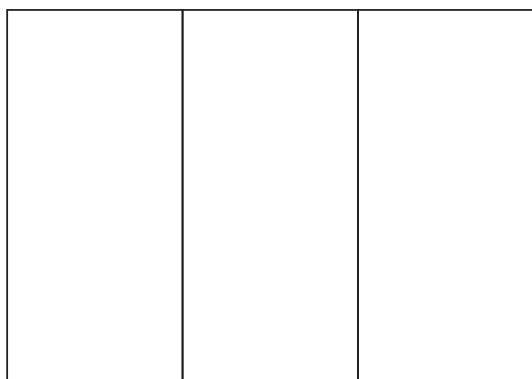
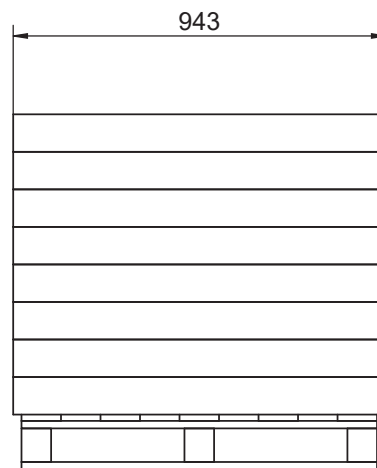
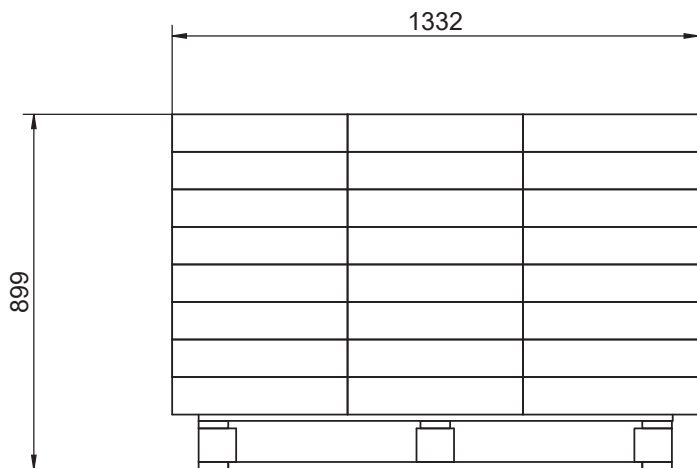

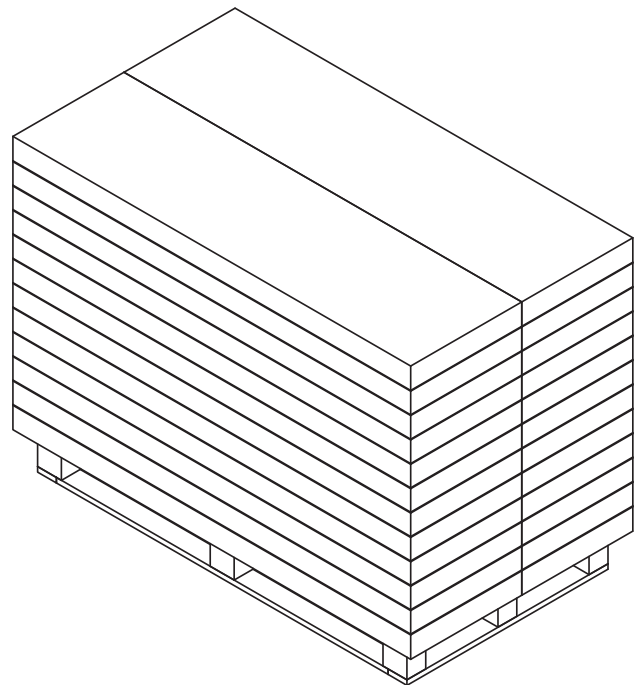
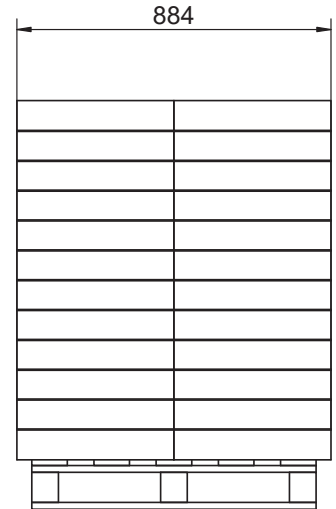
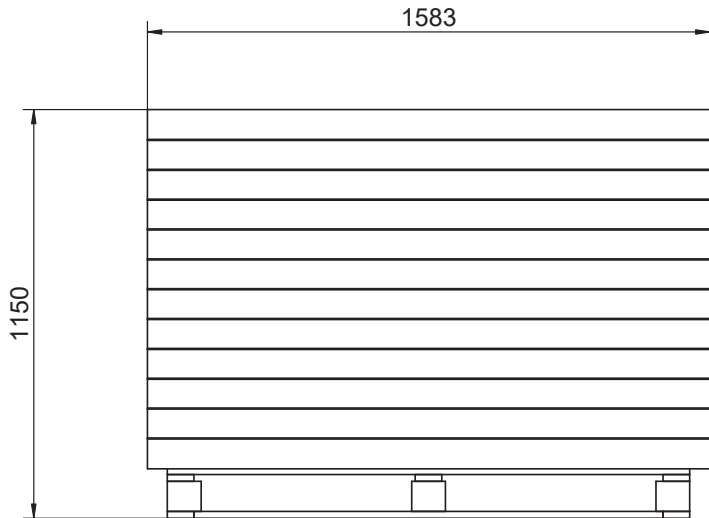



# PALLETIZING



Rev.	Latest Revision / Description						
C	07-03-2023 JR (ECO EC-107): Palle 089590 TS56A ændret til 089056 TS14.						
Item number	Component	Pcs.	L	W	T	Gross weight in kg	Net weight in kg
089056	Palle, TS14, Special.	1	1200	900	139	14	
Box 1 of 2		24	943	444	95	12,3	11,7
<b>tvilum</b>	TV-møbel 1 låge + 1 skuffe Ry		INIT:	JR	DATE :	24-04-2019	
			REVISION:	<b>C</b>	Approved by:	<b>JR</b>	
<b>86007</b>			DWG.NO.		<b>86007-70</b>		

# PALLETIZING



Rev.	Latest Revision / Description						
B	13-01-2023 JR (ECO 11092): Udv. mål ændret fra 1583x442x84 til 1583x442x87.						
Item number	Component	Pcs.	L	W	T	Gross weight in kg	Net weight in kg
089309	Palle, TS56, Special.	1	1470	800	139	16	
Box 2 of 2		24	1583	442	87	29,1	28,3
<b>tvilum</b> <b>86007</b>	<b>TV-møbel 1 låge + 1 skuffe</b> <b>Ry</b>		INIT:	JR	DATE :	24-04-2019	
			REVISION:	<b>B</b>	Approved by:	<b>JR</b>	
			DWG.NO.		86007-70		