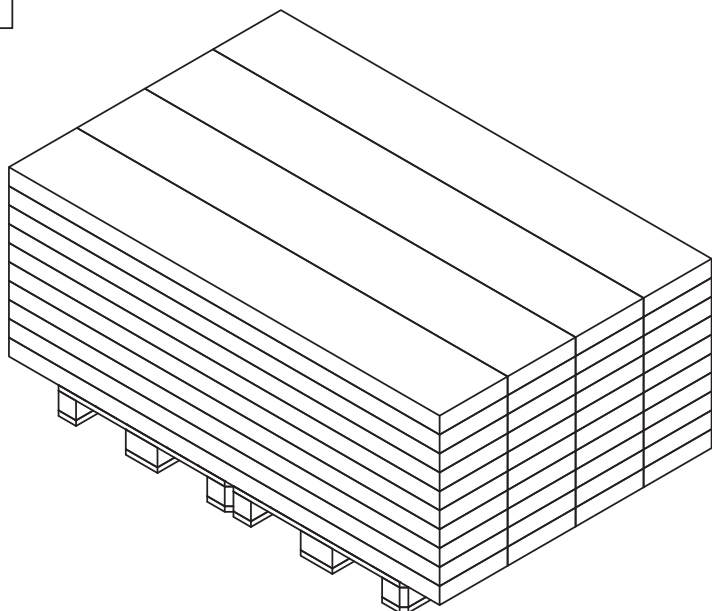
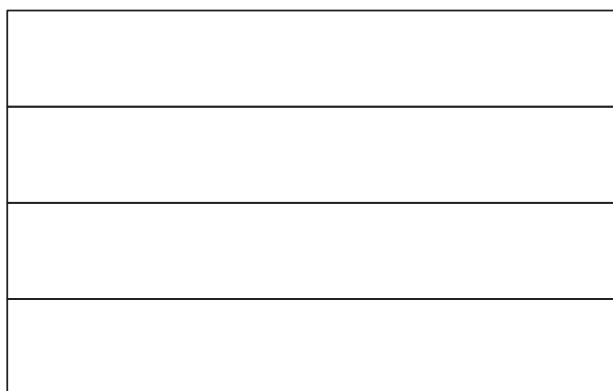
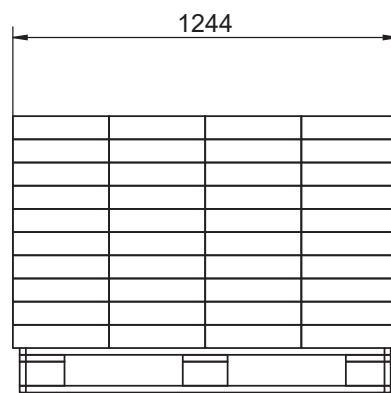
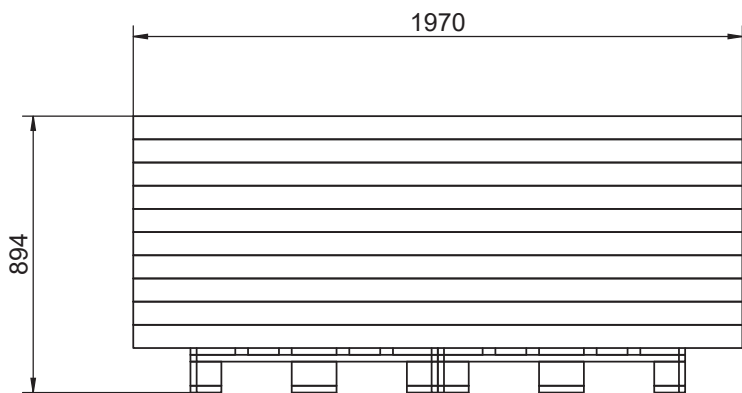

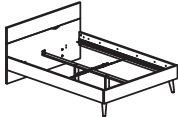
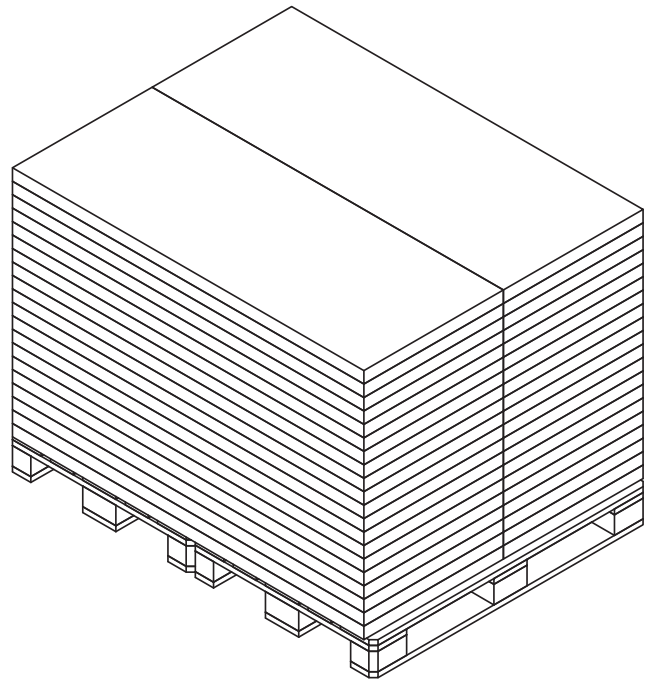
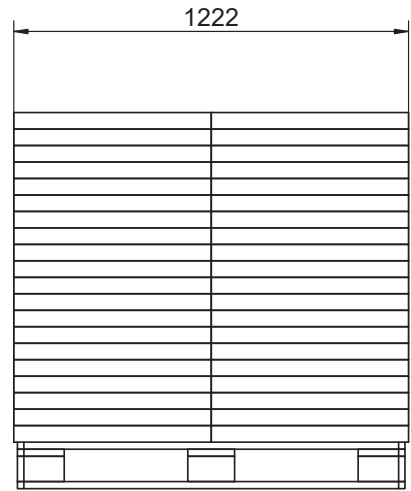
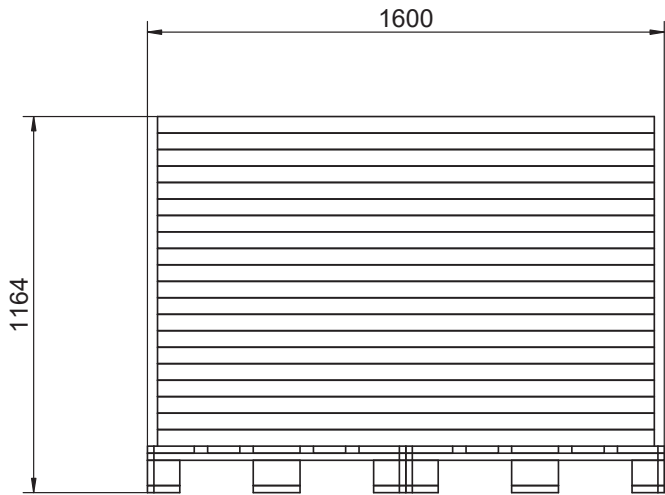



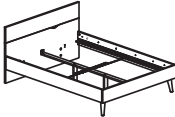
PALLETIZING



Rev.	Latest Revision / Description						
B	10-02-2023 JR (ECO EC-97): Palle 089641 TS66 ændret til 2 stk. EURO palle 089042y.						
Item number	Component	Pcs.	L	W	T	Gross weight in kg	Net weight in kg
089042y	Palle, EUR	2	1200	800	144	25	
Box 1 of 2		40	1970	311	75	15,0	14,1
 75802	Seng 140x190 Oslo		INIT:	JR	DATE :	25-09-2018	
			REVISION:	B	Approved by:	JR	
			DWG.NO.		75802-70		

PALLETIZING



Rev.	Latest Revision / Description						
B	25-01-2023 JR (ECO EC-89): Palle 089113 TS40 ændret til 2 stk. EURO palle 089042y.						
Item number	Component	Pcs.	L	W	T	Gross weight in kg	Net weight in kg
089042y	Palle, EUR	2	1200	800	144	25	
Box 2 of 2		40	1538	611	51	22,2	21,2
 75802	Seng 140x190 Oslo		INIT:	JR	DATE :	25-09-2018	
			REVISION:	B	Approved by:	JR	
			DWG.NO.		75802-70		