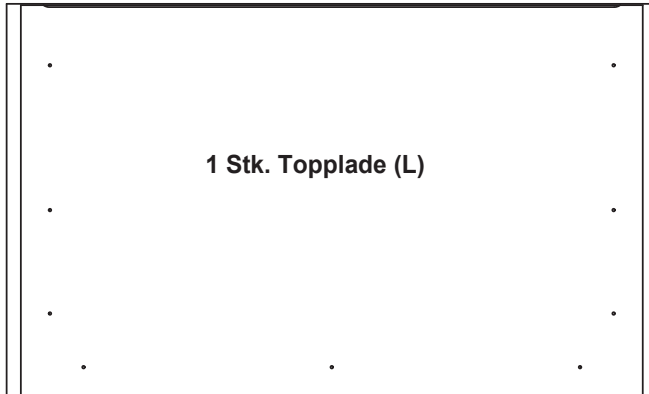


PACKAGING

Note til pakkebånd:

Lag 4



Notat:

Label 088057-STD monteres på topplade (L)

i farve 49, ig.

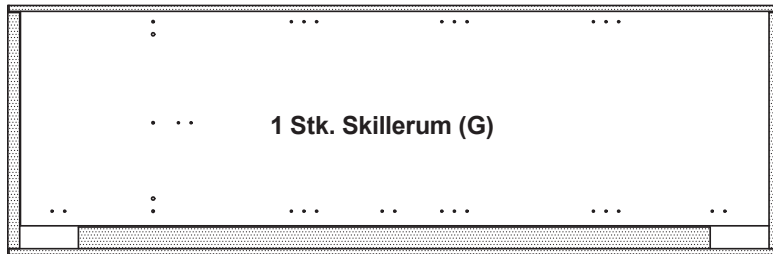
Latest Revision / Description												
Rev. F	01-11-2022 JR: Label er opdateret.					Cardboard closure			Packaging type			
						A - Sideluk			B - 20 mm end protection			
						Thickness of board / Composition of quality						
						3 mm (B-flute, brown) / Min.: ECT 3,9 - BST 520						
Units:			ECT = kN/m			BST = kPa						
INSIDE MEASURE		L:	1004	B:	607	H:	91	Glue flap:	45	Measurements shown in mm.	BOX: 1 of 3	PAGE:2/2
tvilum		Garderobeskab 2 låger Paris						INIT:	JR	DATE :	18-03-2009	
								REVISION:	F	Approved by:	JR	
75352								DWG.NO.		75352-60		

PACKAGING

Note til pakkebånd:

Lag 1

2 Stk. EPS 1955x72x15



2 Stk. EPS 598x72x30

1 Stk. EPS 1600x55x18

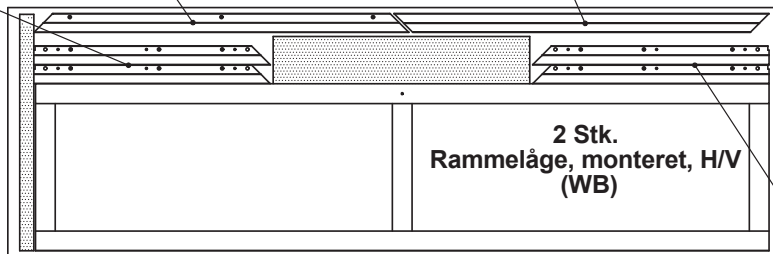
Lag 2

1 Stk.
Forkant, Top
(76154)

1 Stk.
EPS 650x120x36

1 Stk.
Forkant, Bund
(76155)

2 Stk. Side, H (76166)

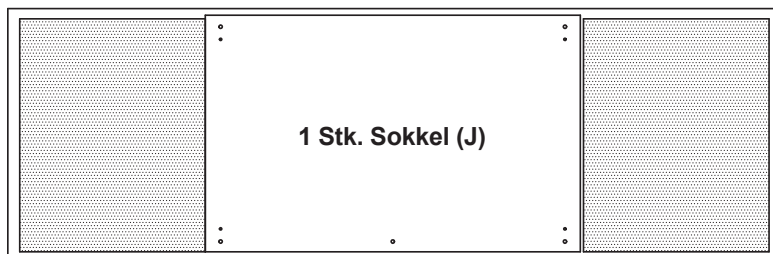




2 Stk. Side, V (76167)

1 Stk. EPS 599x36x36

Lag 3

2 Stk. EPS 590x470x18 18 gr.

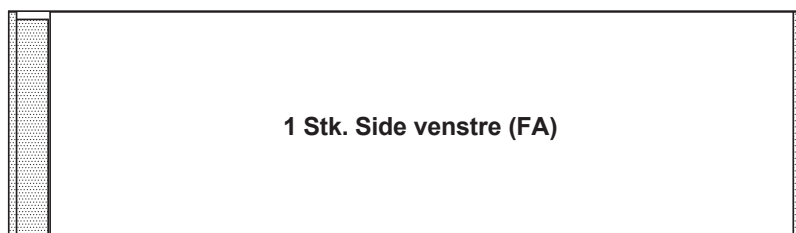


Latest Revision / Description												
Rev. E	01-12-2021 JR (ECO 10898): Indv mål ændret fra 1938x601x73 til 1958x631x73. Nyt EPS i kassen.							Cardboard closure		Packaging type		
								A - Sideluk		C - 30 mm end/15 mm side		
								Thickness of board / Composition of quality				
								3 mm (B-flute, brown) / Min.: ECT 3,9 - BST 520				
				Units:		ECT = kN/m			BST = kPa			
INSIDE MEASURE		L:	1958	B:	631	H:	73	Glue flap: 45	Measurements shown in mm.	BOX: 2 of 3	PAGE:1/1	
 75352		Garderobeskab 2 låger Paris							INIT:	JR	DATE:	18-03-2009
									REVISION:	E	Approved by:	JR
								DWG.NO.		75352-60		

PACKAGING

Note til pakkebånd:

Lag 1



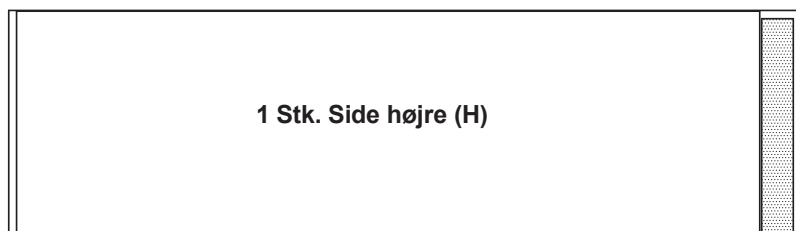
1 Stk. EPS 550x80x18 30 gr.

2 Stk. EPS 569x41x20



Lag 2



Lag 3



1 Stk. EPS 550x80x18 30 gr.

Latest Revision / Description																
Rev. C	01-02-2022 JR (Trine): EPS 550x80x18 ændret til 550x80x18 30 gr.					Cardboard closure				Packaging type						
						A - Sideluk				B - 20 mm end protection						
						Thickness of board / Composition of quality										
						3 mm (B-flute, brown) / Min.: ECT 3,9 - BST 520										
Units:					ECT = kN/m				BST = kPa							
INSIDE MEASURE		L: 2007	B: 571	H: 42	Glue flap: 35		Measurements shown in mm.	BOX: 3 of 3	PAGE:1/1							
 75352		Garderobeskab 2 låger Paris							INIT: JR	DATE: 18-03-2009						
									REVISION: C	Approved by: JR						
						DWG.NO. 75352-60										