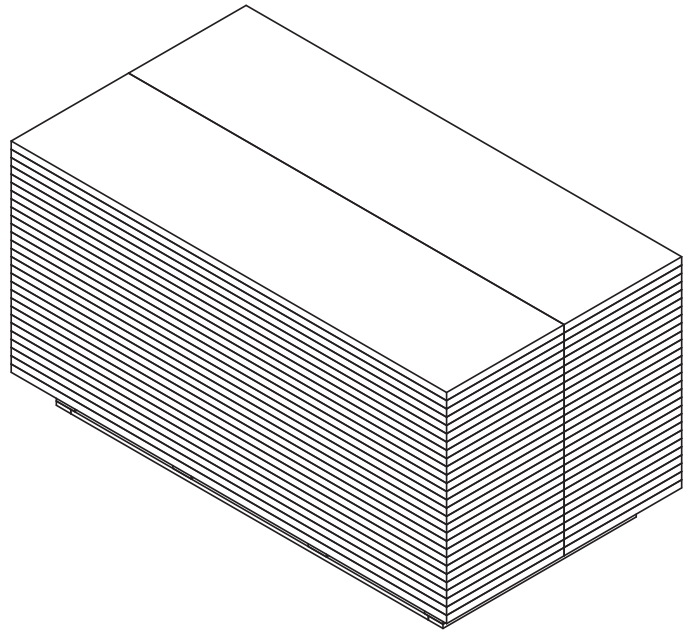
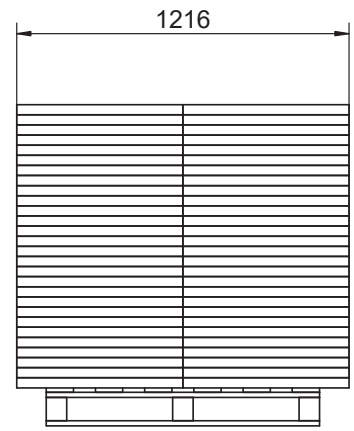
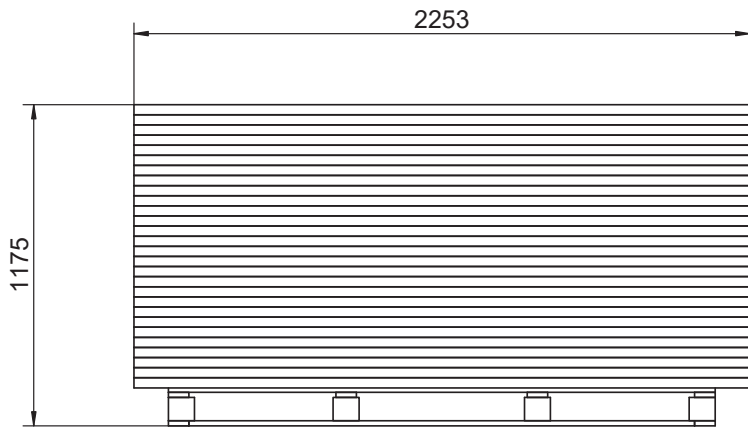



PALLETIZING



| Rev. | Latest Revision / Description | | | | | | |
|---------------------------------|--|---|-----------|----------|--------------|--------------------|------------------|
| G | 09-02-2023 JR (ECO EC-97): Palle 089641 TS66 ændret til 089154 TS12. | | | | | | |
| Item number | Component | Pcs. | L | W | T | Gross weight in kg | Net weight in kg |
| 089154 | Palle, TS12A, Special | 1 | 2000 | 1000 | 139 | 22 | |
| Box 1 af 1 | | 56 | 2253 | 608 | 37 | 11,1 | 9,8 |
| tvilum 2000112 | Straight Låge (220) Save |  | INIT: | JR | DATE : | 14-08-2012 | |
| | | | REVISION: | G | Approved by: | JR | |
| | | | DWG.NO. | | 2000112-70 | | |