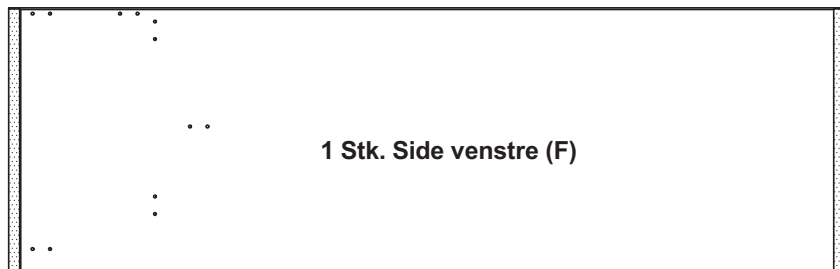


PACKAGING

Lag 1

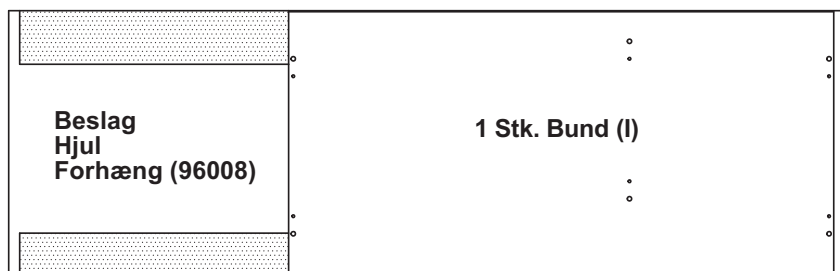


2 Stk. EPS 480x128x20

Note til pakkebånd:

Samlevejledning

Lag 2



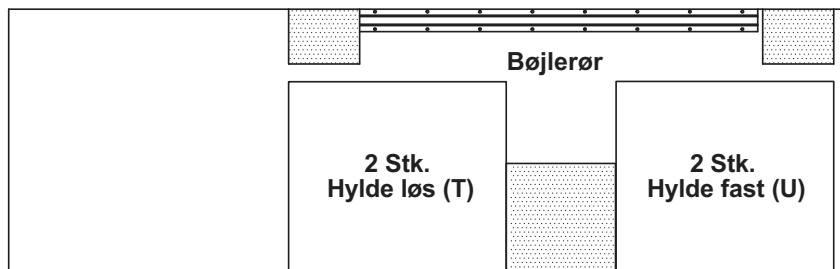
2 Stk. EPS 492x98x75 18 gr.

Beslag se beslagsliste

Hjul se beslagsliste

Lag 3

1 Stk. Opretningsvange (17301)



2 Stk. EPS 130x100x30

Bøjlerør se beslagsliste

1 Stk. EPS 200x200x30

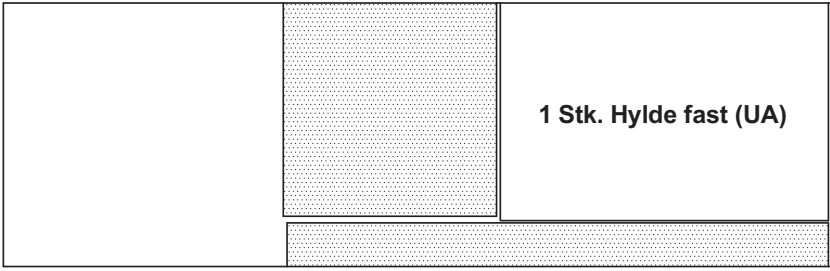
Latest Revision / Description												
Rev. E	06-02-2020 JR: EPS 395x185x8 ændret til 18 gr.					Cardboard closure			Packaging type			
						A - Sideluk			B - 20 mm end protection			
	Thickness of board / Composition of quality											
	3 mm (B-flute, brown) / Min.: ECT 3,9 - BST 520											
Units:					ECT = kN/m			BST = kPa				
INSIDE MEASURE		L:	1529	B:	482	H:	129	Glue flap:	45	Measurements shown in mm.	BOX: 1 af 1	PAGE:1/3
		Garderobeindsats						INIT:	JR	DATE :	23-05-2016	
								REVISION:	E	Approved by:	JR	
93119								DWG.NO.		93119-60		

PACKAGING

Note til pakkebånd:

Lag 4

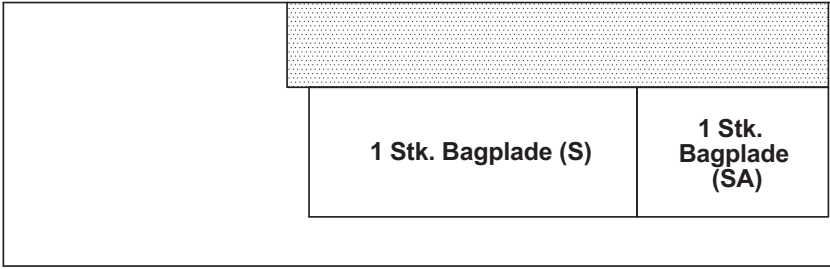
1 Stk. EPS 390x390x15



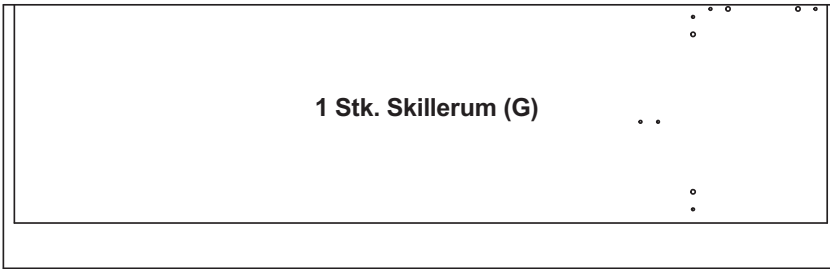
1 Stk. EPS 990x80x53

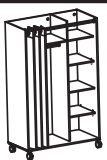
Lag 5

1 Stk. EPS 990x155x15



Lag 6

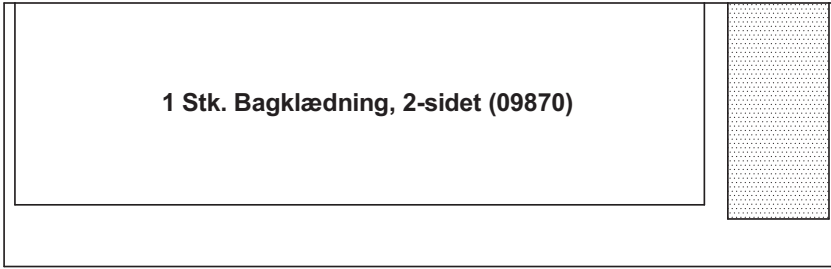


Latest Revision / Description															
Rev. E	06-02-2020 JR: EPS 395x185x8 ændret til 18 gr.						Cardboard closure				Packaging type				
							A - Sideluk				B - 20 mm end protection				
							Thickness of board / Composition of quality								
							3 mm (B-flute, brown) / Min.: ECT 3,9 - BST 520								
Units:				ECT = kN/m				BST = kPa							
INSIDE MEASURE			L:	1529	B:	482	H:	129	Glue flap:	45	Measurements shown in mm.	BOX: 1 af 1	PAGE:2/3		
tvilum 93119			Garderobeindsats 						INIT:	JR	DATE :	23-05-2016			
									REVISION:	E	Approved by:	JR			
									DWG.NO.		93119-60				

PACKAGING

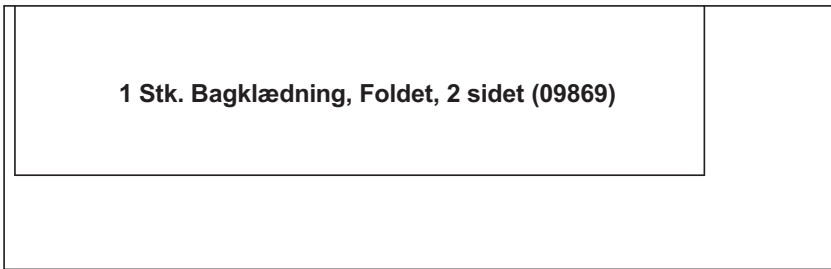
Note til pakkebånd:

Lag 7

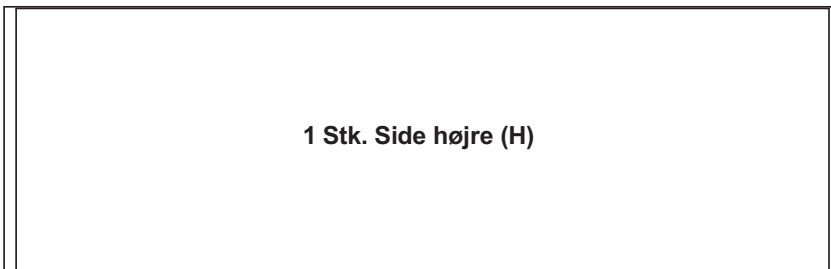


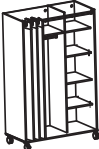
1 Stk. EPS 395x185x8 18 gr.

Lag 8



Lag 9



Latest Revision / Description													
Rev. E	06-02-2020 JR: EPS 395x185x8 ændret til 18 gr.						Cardboard closure		Packaging type				
							A - Sideluk		B - 20 mm end protection				
							Thickness of board / Composition of quality						
							3 mm (B-flute, brown) / Min.: ECT 3,9 - BST 520						
Units:			ECT = kN/m			BST = kPa							
INSIDE MEASURE		L:	1529	B:	482	H:	129	Glue flap: 45	Measurements shown in mm.	BOX: 1 af 1	PAGE:3/3		
tvilum 93119		Garderobeindsats								INIT:	JR	DATE :	23-05-2016
										REVISION:	E	Approved by:	JR
						DWG.NO.		93119-60					