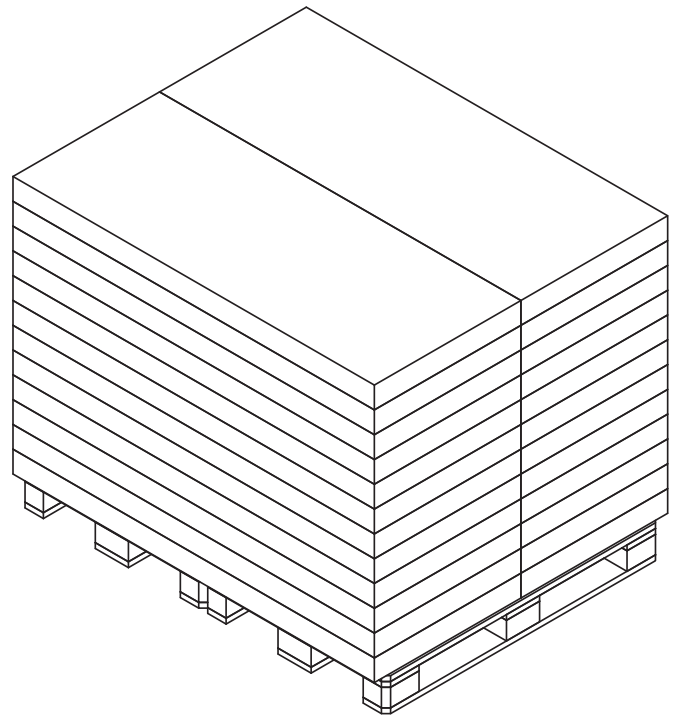
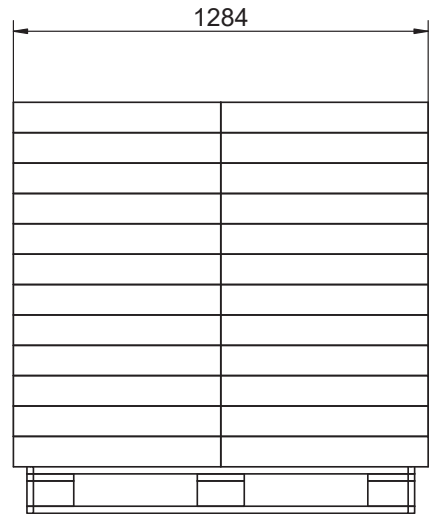
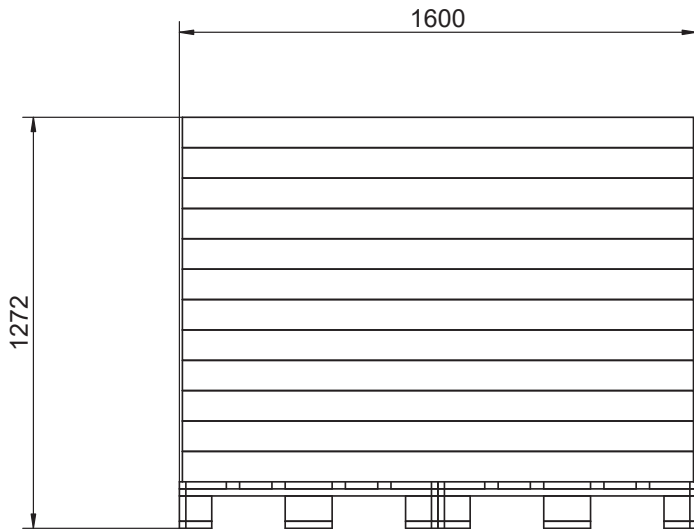

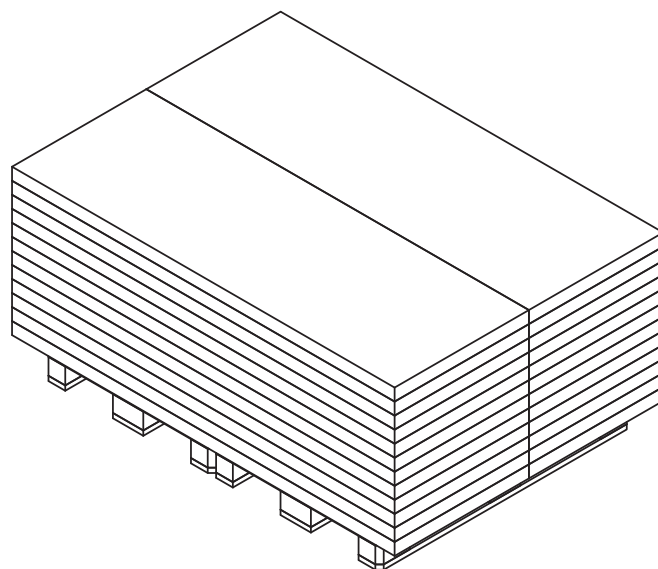
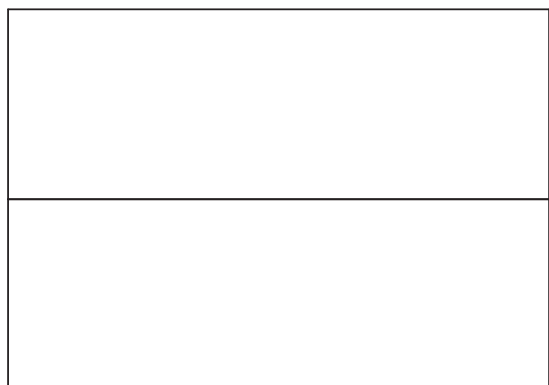
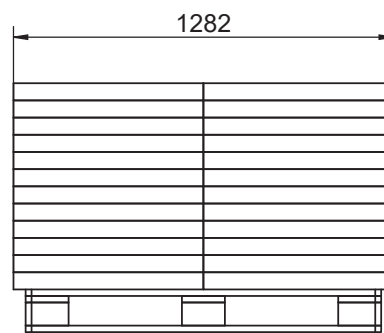
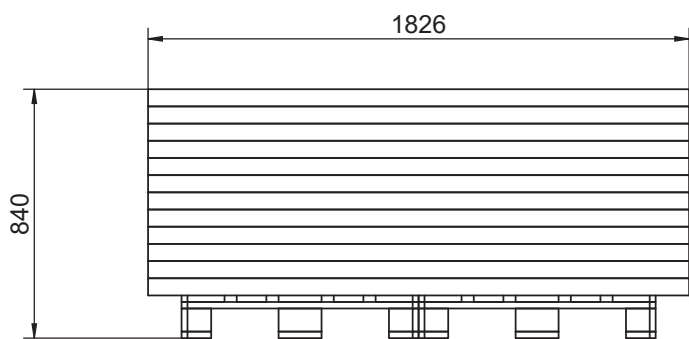



PALLETIZING



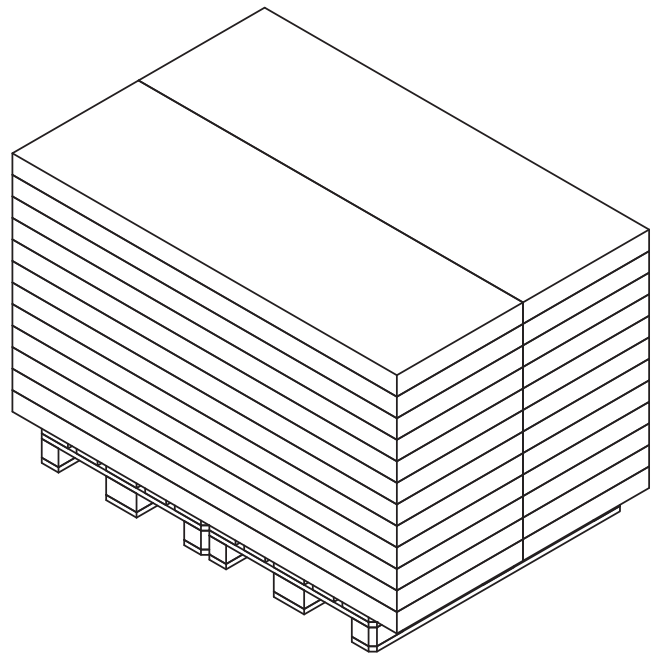
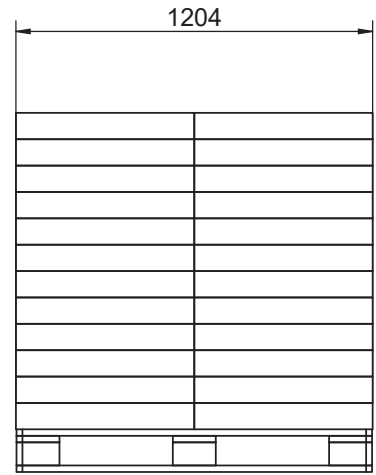
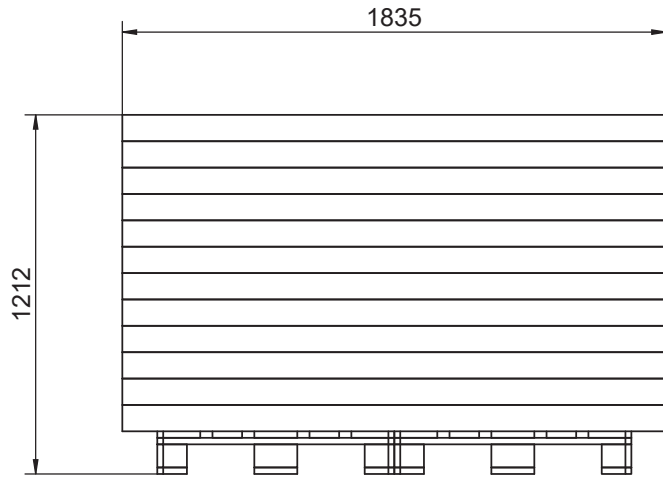
Rev.	Latest Revision / Description						
B	25-01-2023 JR (ECO EC-89): Palle 089113 TS40 ændret til 2 stk. EURO palle 089042y.						
Item number	Component	Pcs.	L	W	T	Gross weight in kg	Net weight in kg
089042y	Palle, EUR	2	1200	800	144	25	
Box 1 of 4		24	1582	642	94	34,1	32,7
tvilum 86011	Garderobeskab 3 låger + 3 skuffer Ry		INIT:	JR	DATE :	03-06-2020	
			REVISION:	B	Approved by:	JR	
			DWG.NO.	86011-70			


PALLETIZING



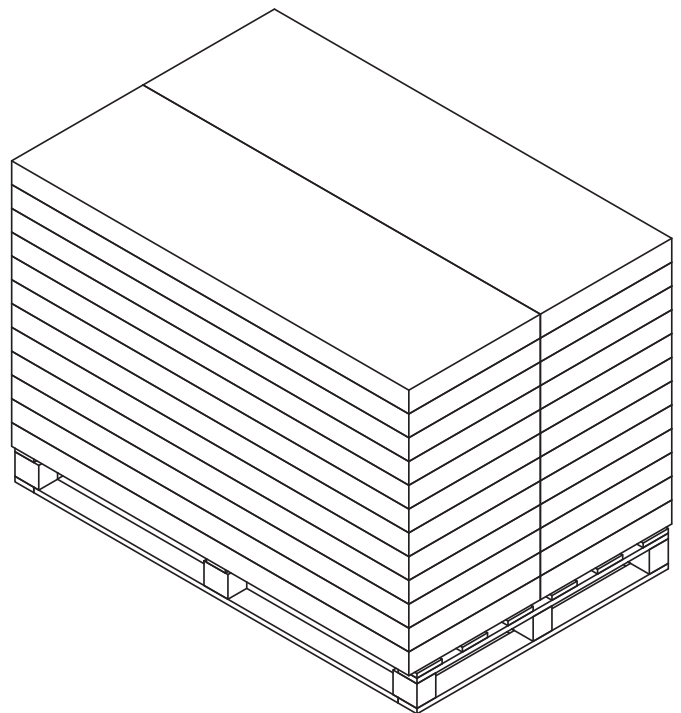
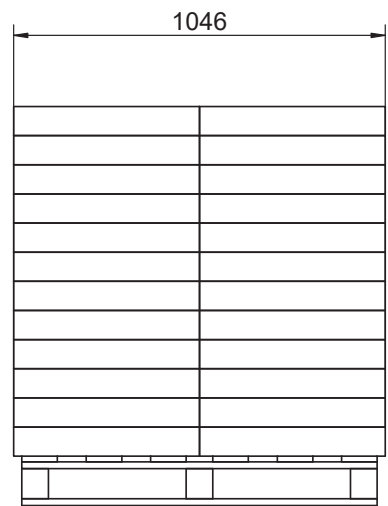
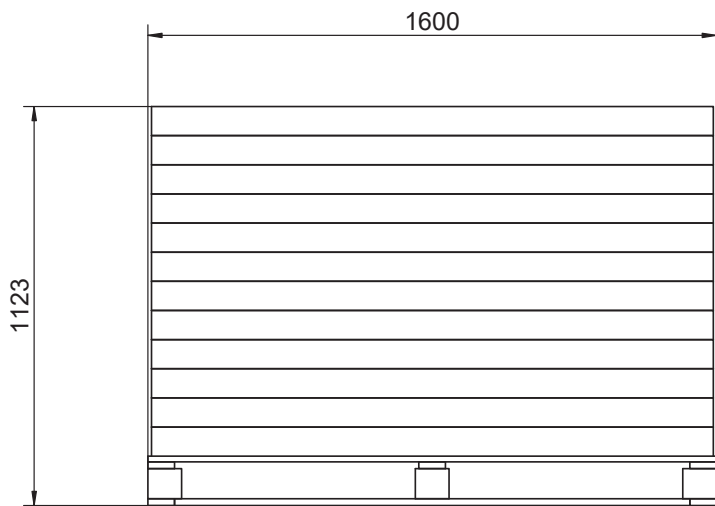
Rev.	Latest Revision / Description						
B	13-02-2023 JR (ECO EC-97): Palle 089641 TS66 ændret til 2 stk. EURO palle 089042y.						
Item number	Component	Pcs.	L	W	T	Gross weight in kg	Net weight in kg
089042y	Palle, EUR	2	1200	800	144	25	
Box 2 of 4		24	1826	641	58	34,3	33,1
tvilum	Garderobeskab 3 låger + 3 skuffer Ry		INIT:	JR	DATE :	03-06-2020	
			REVISION:	B	Approved by:	JR	
86011			DWG.NO.		86011-70		


PALLETIZING



Rev.	Latest Revision / Description						
B	13-02-2023 JR (ECO EC-97): Palle 089641 TS66 ændret til 2 stk. EURO palle 089042y.						
Item number	Component	Pcs.	L	W	T	Gross weight in kg	Net weight in kg
089042y	Palle, EUR	2	1200	800	144	25	
Box 3 of 4		24	1835	602	89	34,8	33,2
tvilum 86011	Garderobeskab 3 låger + 3 skuffer Ry		INIT:	JR	DATE :	03-06-2020	
			REVISION:	B	Approved by:	JR	
			DWG.NO.	86011-70			

PALLETIZING



Rev.	Latest Revision / Description						
A	Første udgave.						
Item number	Component	Pcs.	L	W	T	Gross weight in kg	Net weight in kg
089106	Palle, TS1A, Special	1	1600	1000	139	20	
Box 4 of 4		24	1581	523	82	32,2	31,2
tvilum 86011	Garderobeskab 3 låger + 3 skuffer Ry		INIT:	JR	DATE :	03-06-2020	
			REVISION:	A	Approved by:	JR	
			DWG.NO.	86011-70			