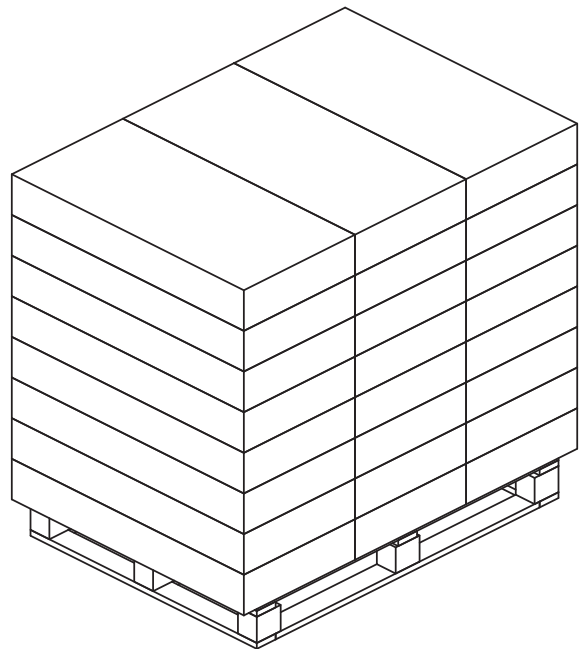
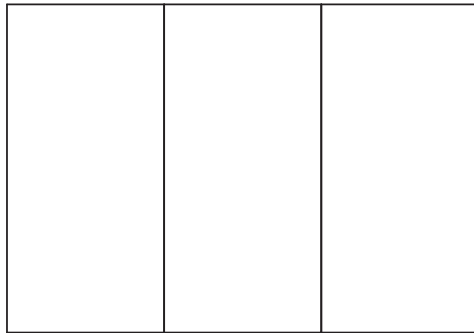
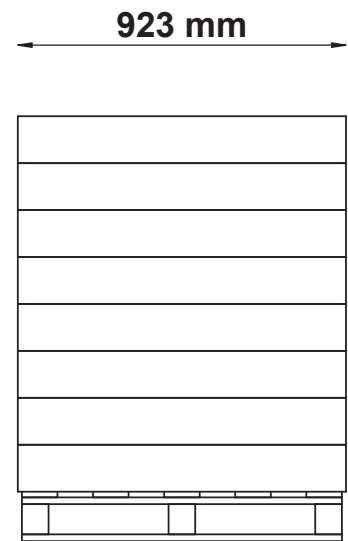
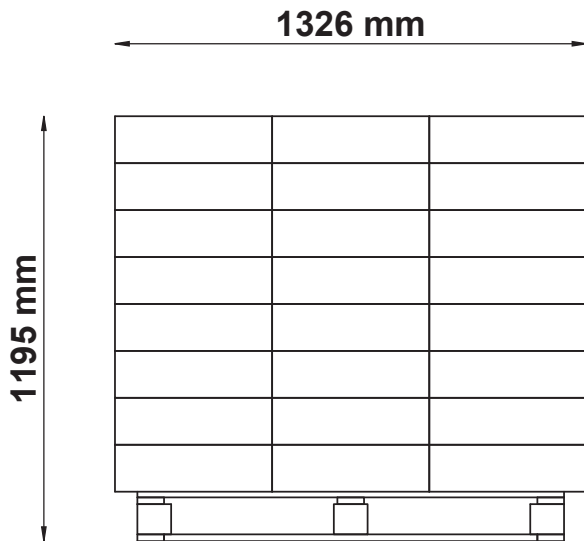


PALLETIZING

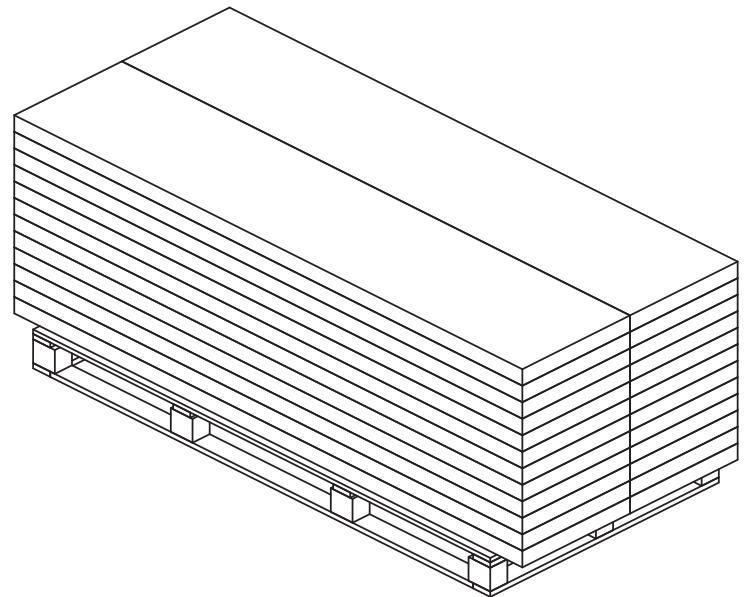
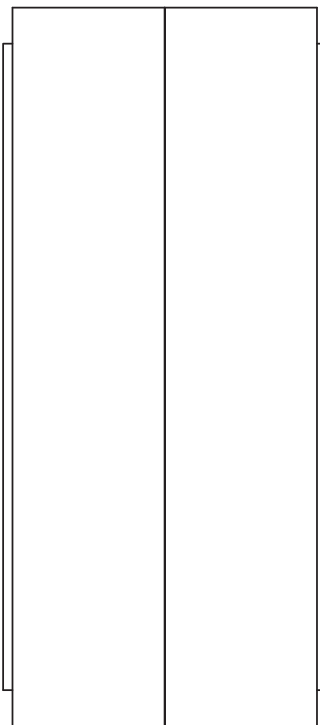
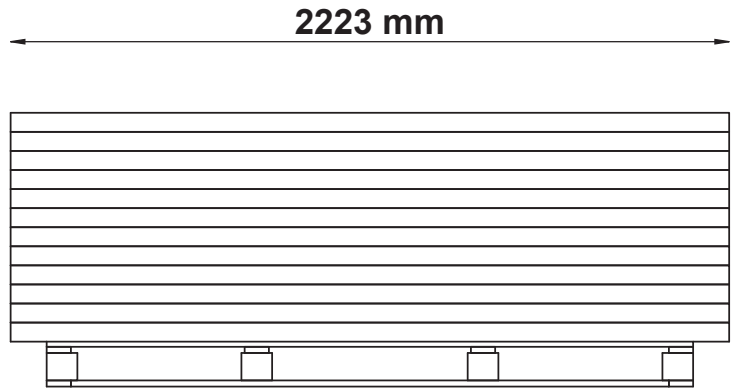
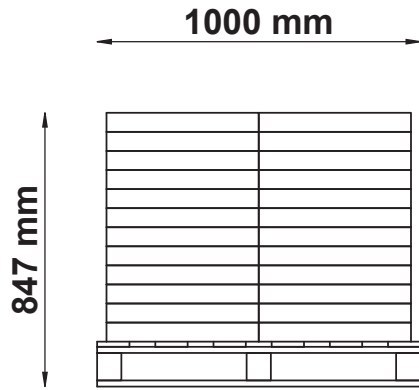


Item number	Component	Pcs.	L	W	T	Gross weight (kg)	Net weight (kg)
	Box 1 of 2	24	923	442	132	20.1	19.3
089056	Palle, TS14, Special.	1	1200	900	139	14	
Total Weight (kg)						496.4	

Rev.	Latest Revision / Description
A	Første udgave.

tvilum	Bogkasse 5 hylder Prima		INIT:	JR	DATE :	20-11-2023
			REVISION:	A	Approved by:	JR
80429			DWG.NO.		80429-70	

PALLETIZING



Item number	Component	Pcs.	L	W	T	Gross weight (kg)	Net weight (kg)
	Box 2 of 2	24	2223	471	59	30.1	28.8
089154	Palle, TS12A, Special	1	2000	1000	139	22	
Total Weight (kg)						744.4	

Rev.	Latest Revision / Description
A	Første udgave.

tvilum	Bogkasse 5 hylder Prima		INIT:	JR	DATE :	20-11-2023
			REVISION:	A	Approved by:	JR
80429			DWG.NO.		80429-70	