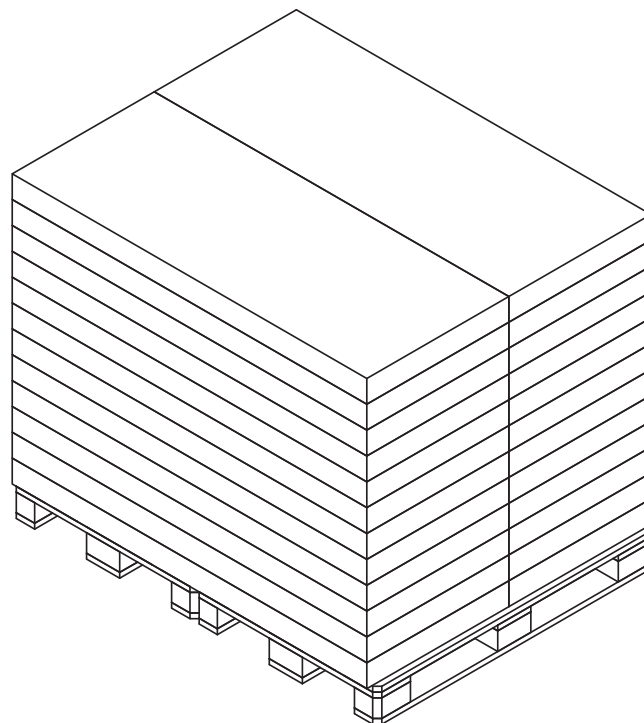
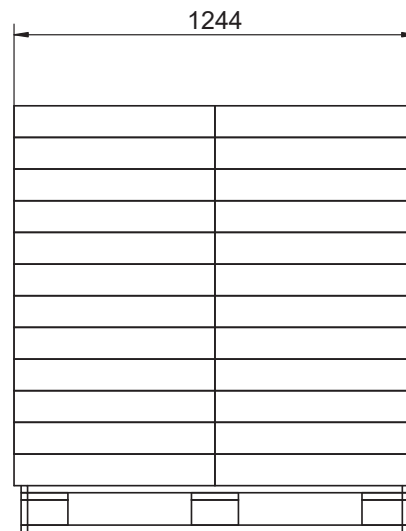
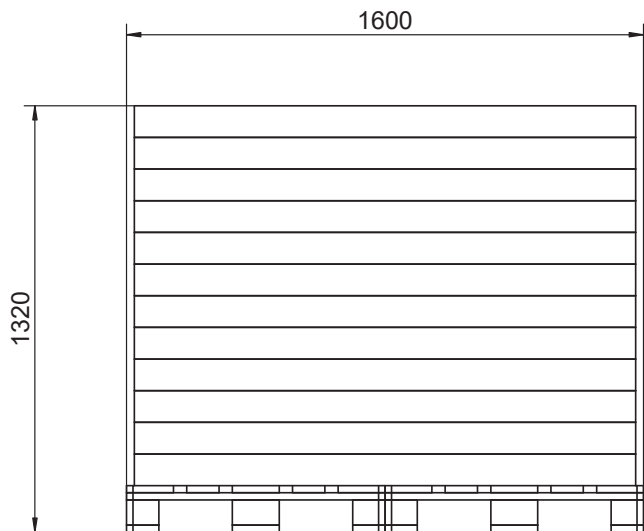
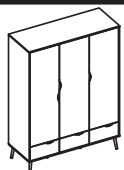
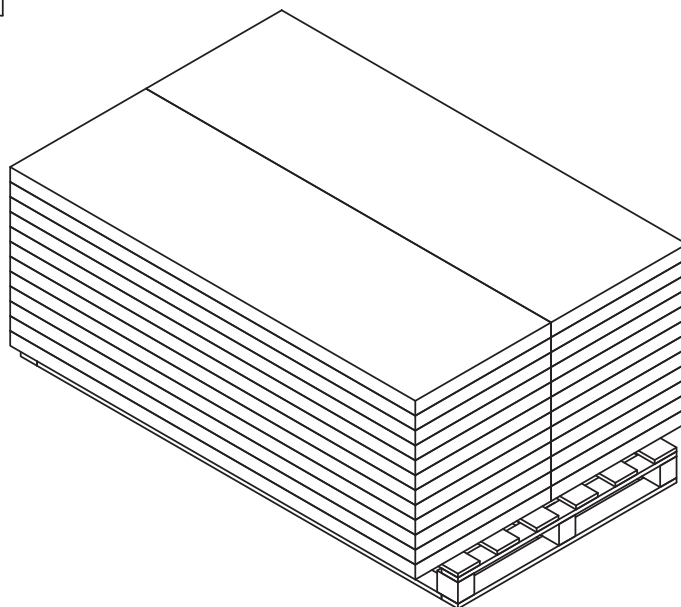
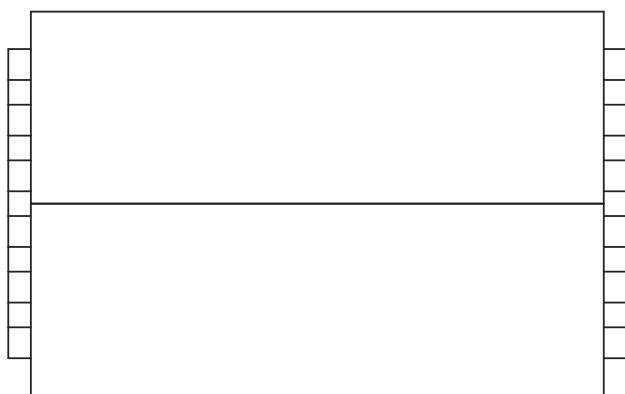
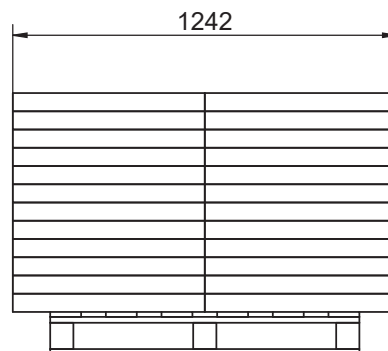
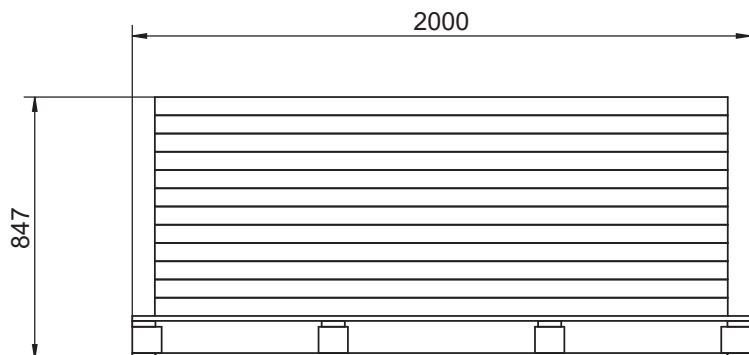


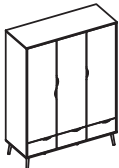
# PALLETIZING



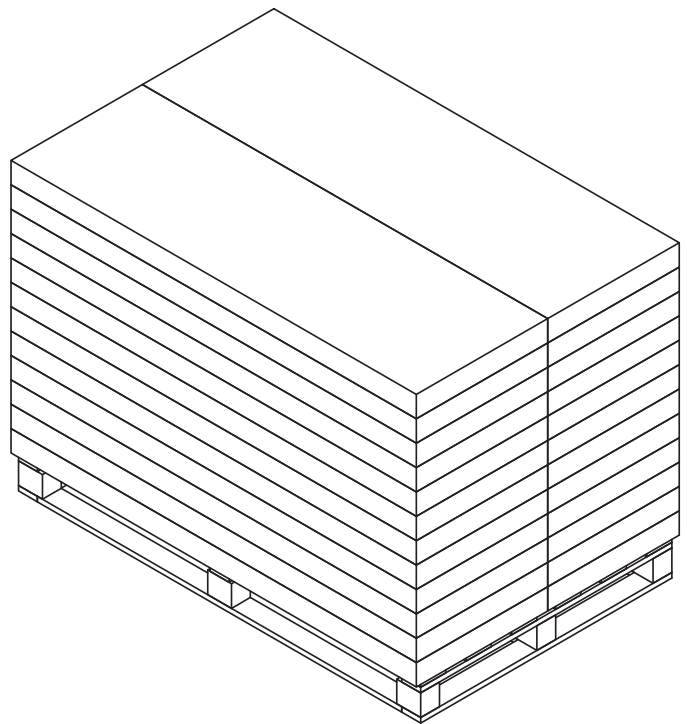
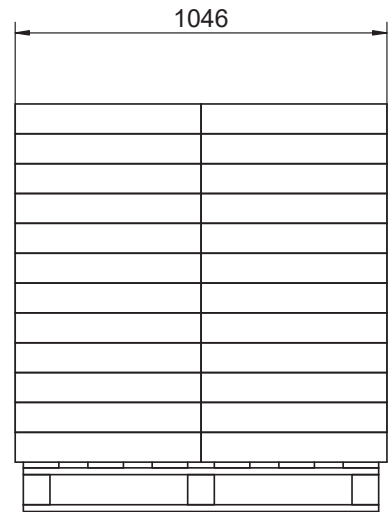
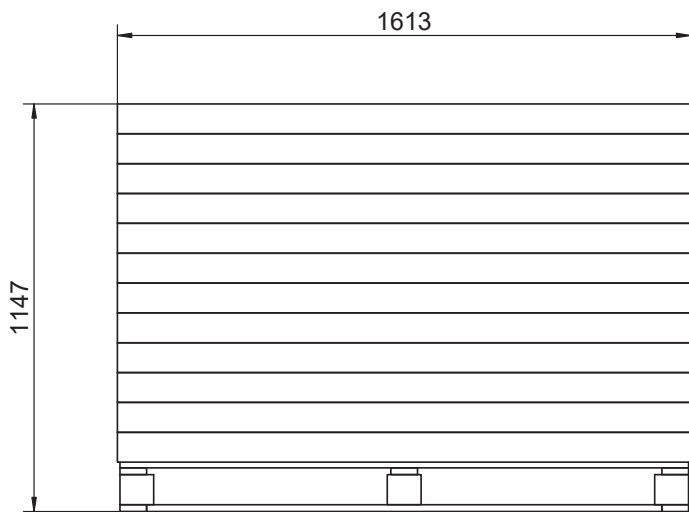
Rev.	Latest Revision / Description						
D	25-01-2023 JR (ECO EC-89): Palle 089113 TS40 ændret til 2 stk EURO palle 089042y.						
Item number	Component	Pcs.	L	W	T	Gross weight in kg	Net weight in kg
089042y	Palle, EUR	2	1200	800	144	25	
Box 1 of 3		24	1552	622	98	36,7	35,4
<b>tvilum</b> <b>75468</b>	<b>Garderobeskab 3 låger + 3 skuffer</b> <b>Oslo</b>		INIT:	JR	DATE :	16-10-2017	
			REVISION:	<b>D</b>	Approved by:	<b>JR</b>	
			DWG.NO.		<b>75468-70</b>		

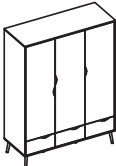
# PALLETIZING



Rev.	Latest Revision / Description						
C	09-02-2023 JR (ECO EC-97): Palle 089641 TS66 ændret til 089154 TS12.						
Item number	Component	Pcs.	L	W	T	Gross weight in kg	Net weight in kg
089154	Palle, TS12A, Special	1	2000	1000	139	22	
Box 2 of 3		24	1853	621	59	35,4	34,2
<b>tvilum</b>	Garderobeskab 3 låger + 3 skuffer Oslo		INIT:	JR	DATE :	16-10-2017	
			REVISION:	<b>C</b>	Approved by:	<b>JR</b>	
<b>75468</b>			DWG.NO.		<b>75468-70</b>		

# PALLETIZING



Rev.	Latest Revision / Description						
B	Delta er ændret til Oslo.						
Item number	Component	Pcs.	L	W	T	Gross weight in kg	Net weight in kg
089106	Palle, TS1A, Special	1	1600	1000	139	20	
Box 3 of 3		24	1613	523	84	35,4	34,4
<b>tvilum</b> <b>75468</b>	<b>Garderobeskab 3 låger + 3 skuffer</b> <b>Oslo</b>		INIT:	JR	DATE :	16-10-2017	
			REVISION:	<b>B</b>	Approved by:	<b>JR</b>	
			DWG.NO.	<b>75468-70</b>			