

# PACKAGING

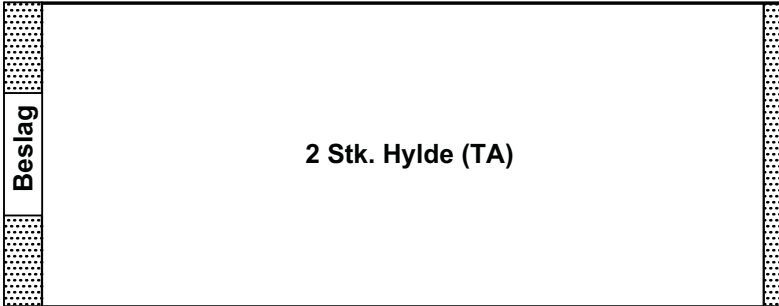
Note til pakkebånd:

Samlevejledning



Beslag se beslagsliste

Lag 1

2 Stk. EPS 120x50x30



1 Stk. EPS 400x30x30

Rev.	Latest Revision / Description										
A	Første udgave.										
Cardboard closure		Packaging type				Thickness of board / Composition of quality					
B - Midterluk		B - 30 mm end protection				3 mm (B-flute, brown) / Min.: ECT 3,9 - Mul 350					
INSIDE MEASURE		L:	1035	B:	402	H:	31	Glue flap:	Measurements shown in mm.	BOX: 1 of 1	PAGE:1/1
 <b>68083</b>		2 hylde Sprint 						INIT:	JR	DATE :	09-10-2018
								REVISION:	A	Approved by:	JR
								DWG.NO.	68083-60		