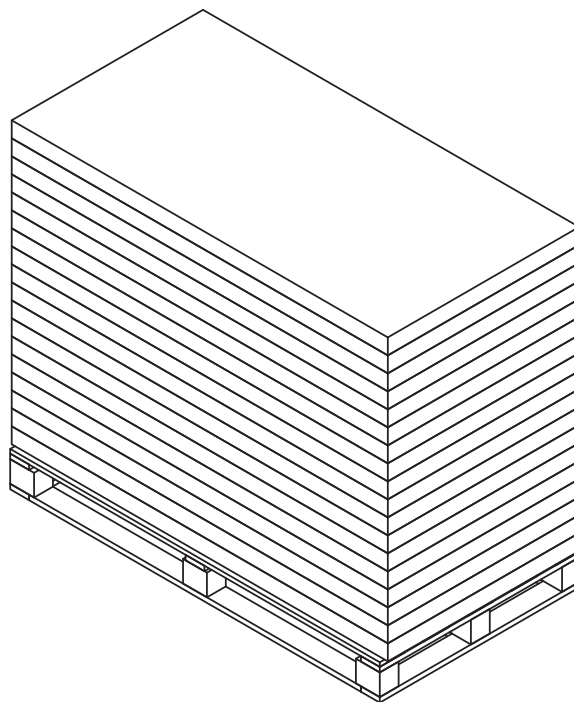
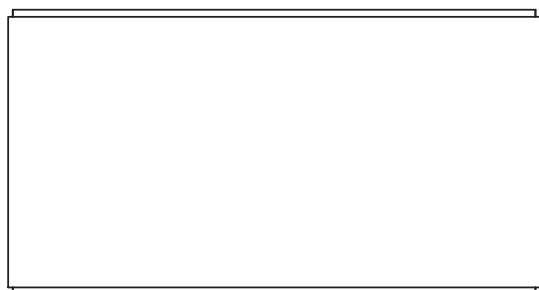
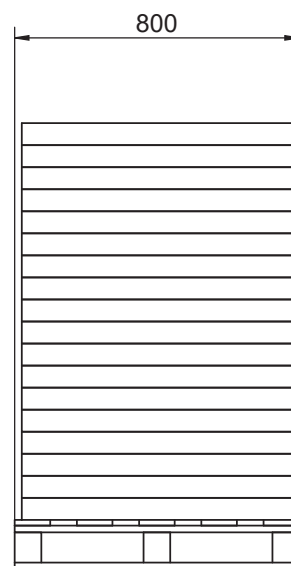
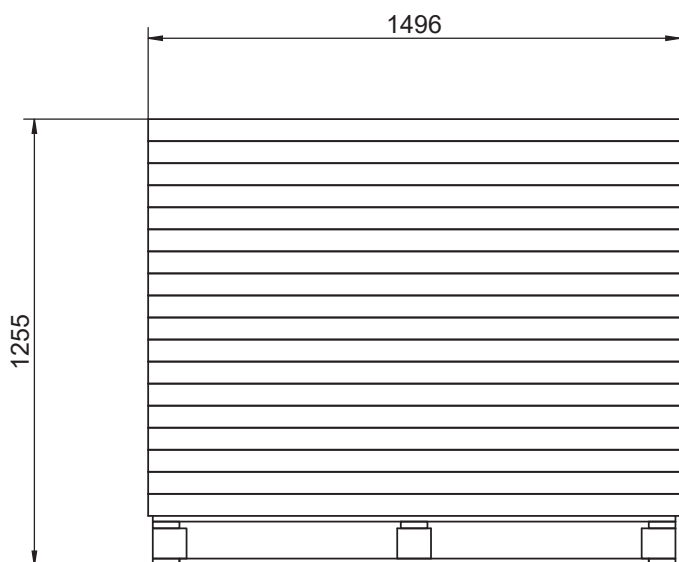
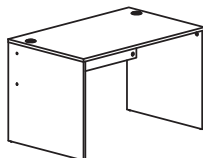


# PALLETIZING



Rev.	Latest Revision / Description						
C	PalleTS61 089588 ændret til TS56 089309.						
Item number	Component	Pcs.	L	W	T	Gross weight in kg	Net weight in kg
089309	Palle, TS56, Special.	1	1470	800	139	16	
Box 1 af 1		18	1496	761	62	29,7	28,3
<b>tvilum</b>	<b>Skrivebord 120x75 cm</b> <b>Function Plus</b>		INIT:	JR	DATE :	29-06-2015	
			REVISION:	<b>C</b>	Approved by:	<b>JR</b>	
<b>80651</b>			DWG.NO.		<b>80651-70</b>		