

# PACKAGING

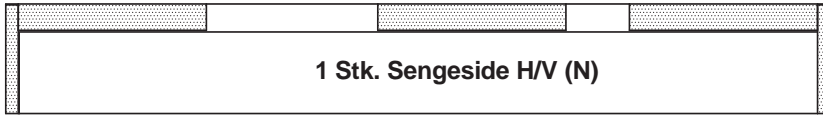
Note til pakkebånd:

Samlevejledning

Lag 1

3 Stk. EPS 450x63x63

2 Stk. EPS 260x63x30



1 Stk. Sengeseide H/V (N)

Lag 2

1 Stk. Ben (65852)

1 Stk. EPS 1000x130x19

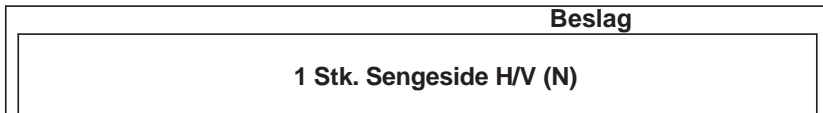
1 Stk. Ben (65852)



1 Stk. Midterliste (18848)

2 Stk. EPS 450x65x18

Lag 3



1 Stk. Sengeseide H/V (N)

Bærevinkel se beslagsliste

Vinkelbeslag se beslagsliste

Beslag se beslagsliste

Latest Revision / Description												
Rev. B	07-09-2018 JR: Sengesider er opdateret. Ben 65851 er fjernet. EPS 830x130x19 ændret til 1000x130x19.					Cardboard closure			Packaging type			
						A - Sideluk			B - 30 mm end protection			
						Thickness of board / Composition of quality						
						3 mm (B-flute, brown) / Min.: ECT 3,9 - BST 520						
Units:			ECT = kN/m			BST = kPa						
INSIDE MEASURE		L:	1972	B:	262	H:	64	Glue flap:	45	Measurements shown in mm.	BOX: 1 of 2	PAGE:1/1
 <b>75212</b>		Seng 140x190 Naia					INIT:	JR	DATE :	15-03-2018		
							REVISION:	B	Approved by:	JR		
							DWG.NO.		75212-60			

# PACKAGING

Note til pakkebånd:

---

---

---

---

---

---

---

---

---

---

---

---

---

---

---

---

---

---

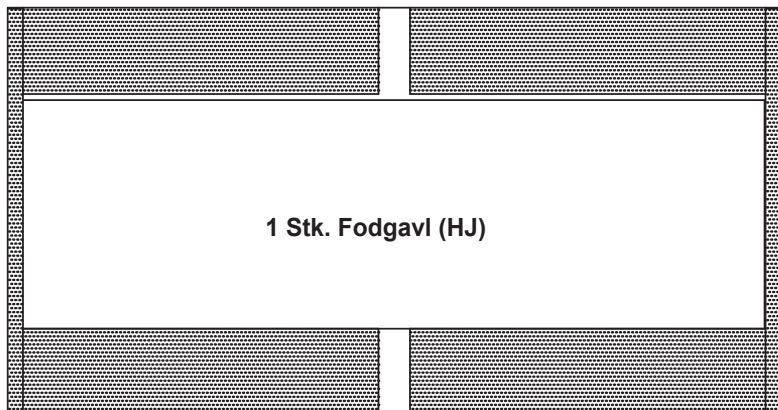
---

---

---

---

## Lag 1



4 Stk. EPS 700x170x28 18 gr.


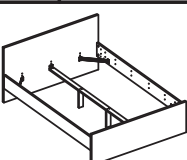
2 Stk. EPS 800x56x30

## Lag 2



1 Stk. Hovedgavl (FJ)

### Latest Revision / Description

<b>Rev.</b> B	14-09-2020 JR (ECO 10809): Silkekardus er fjernet fra kassen.	<b>Cardboard closure</b>		<b>Packaging type</b>	
		A - Sideluk		B - 30 mm end protection	
		<b>Thickness of board / Composition of quality</b>			
		3 mm (B-flute, brown) / Min.: ECT 3,9 - BST 520			
<b>Units:</b>		<b>ECT = kN/m</b>		<b>BST = kPa</b>	
<b>INSIDE MEASURE</b>	L: <b>1522</b>	B: <b>802</b>	H: <b>57</b>	Glue flap: <b>45</b>	Measurements shown in mm. <b>BOX: 2 of 2</b> <b>PAGE:1/1</b>
 <b>75212</b>	<b>Seng 140x190</b> <b>Naia</b>				<b>INIT: JR</b> <b>DATE : 16-03-2018</b>
			<b>REVISION: B</b> <b>Approved by: JR</b>	<b>DWG.NO. 75212-60</b>	