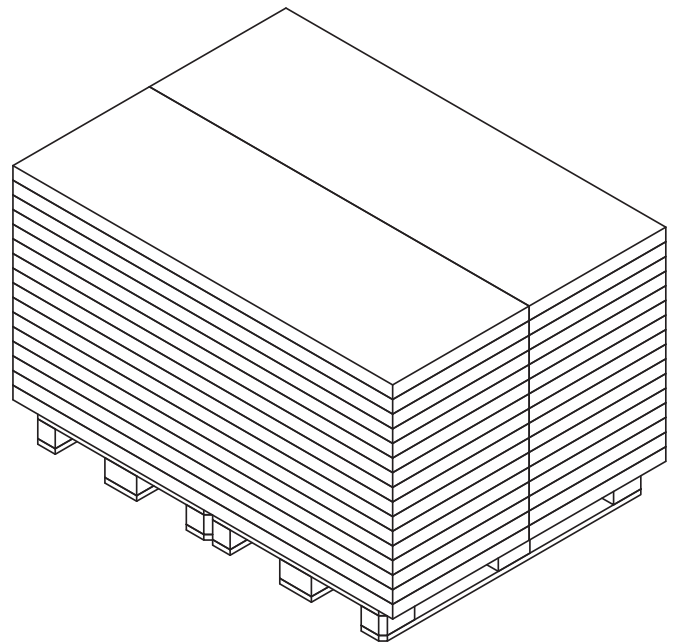
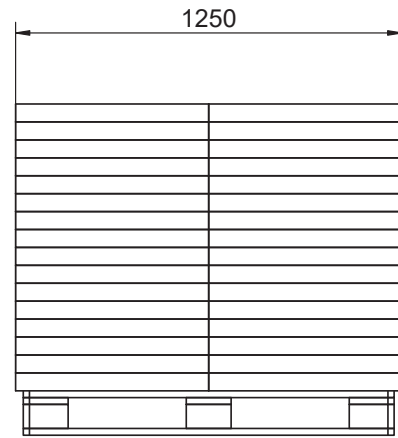
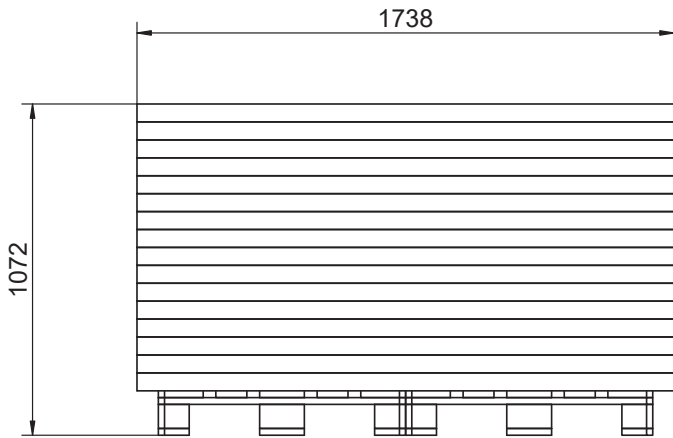

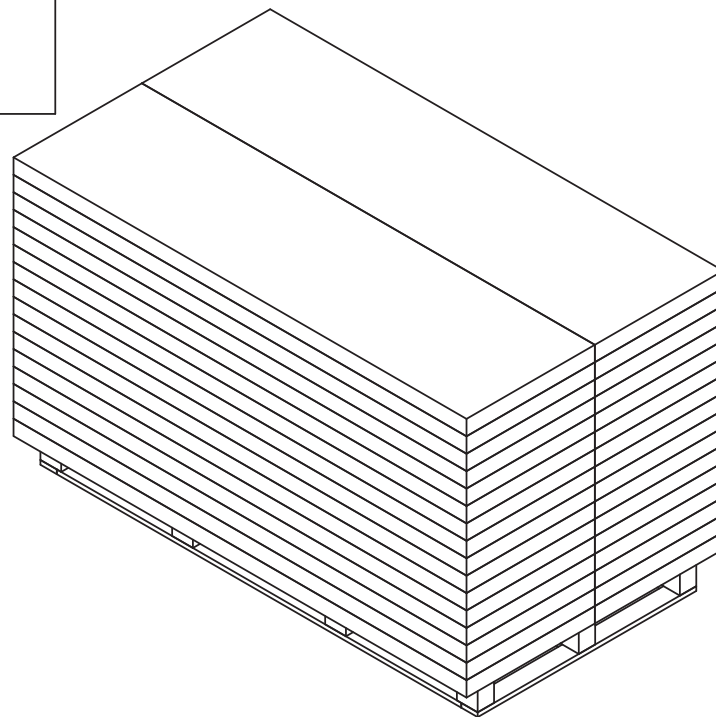
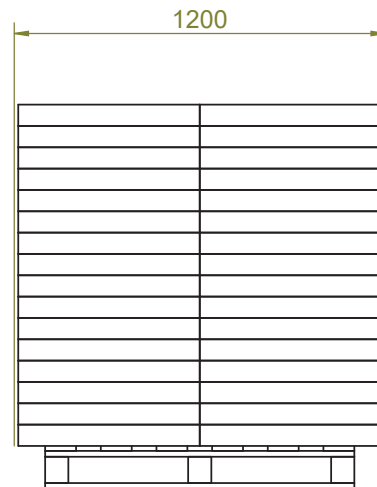
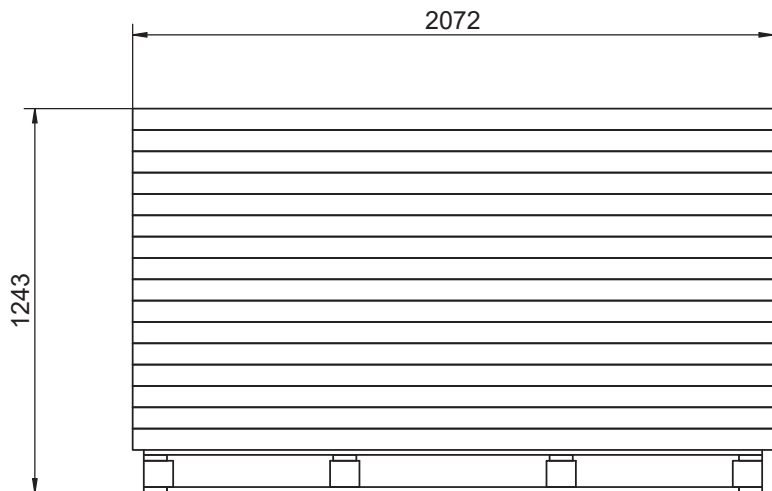



# PALLETIZING



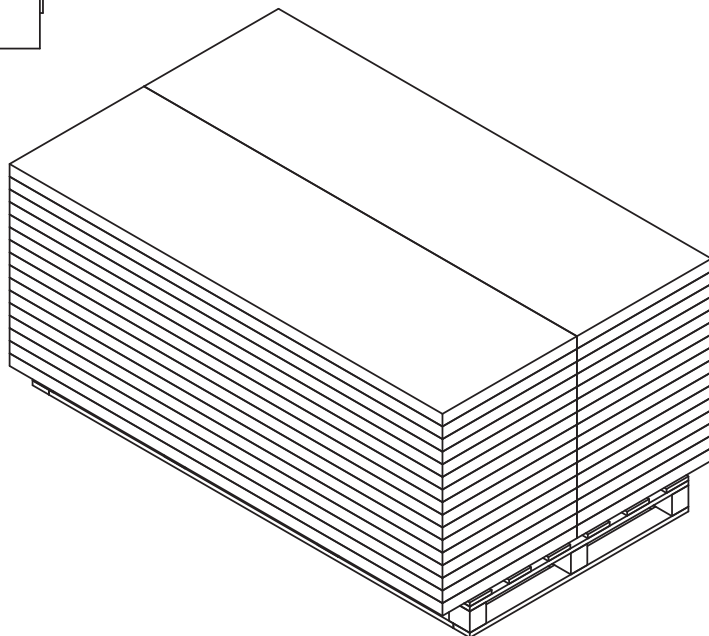
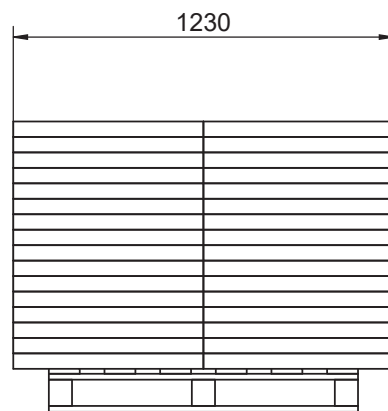
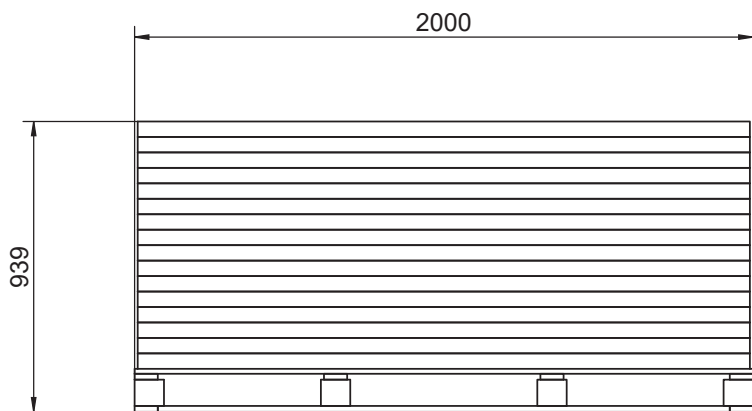
Rev.	Latest Revision / Description						
B	25-01-2023 JR (ECO EC-89); Palle 089113 TS40 ændret til 2 stk. EURO palle 089042y.						
Item number	Component	Pcs.	L	W	T	Gross weight in kg	Net weight in kg
089042y	Palle, EUR	2	1200	800	144	25	
Box 1 of 4		32	1738	625	58	27,5	26,2
<b>tvilum</b>	<b>Garderobeskab 3 låger</b> Madrid		INIT:	JR	DATE :	05-03-2020	
			REVISION:	<b>B</b>	Approved by:	<b>JR</b>	
<b>79664</b>			DWG.NO.		<b>79664-70</b>		

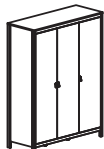
# PALLETIZING



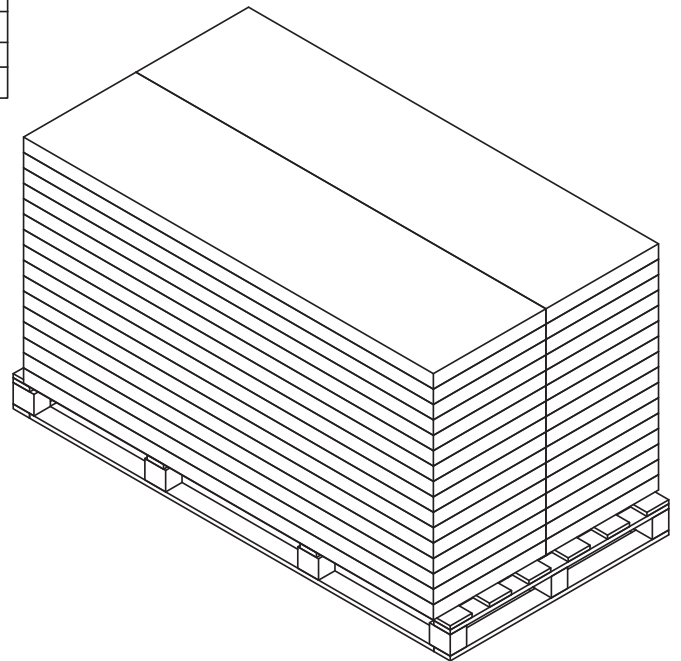
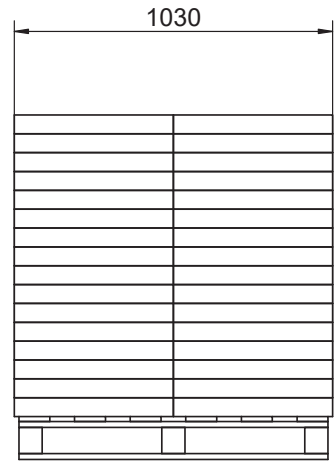
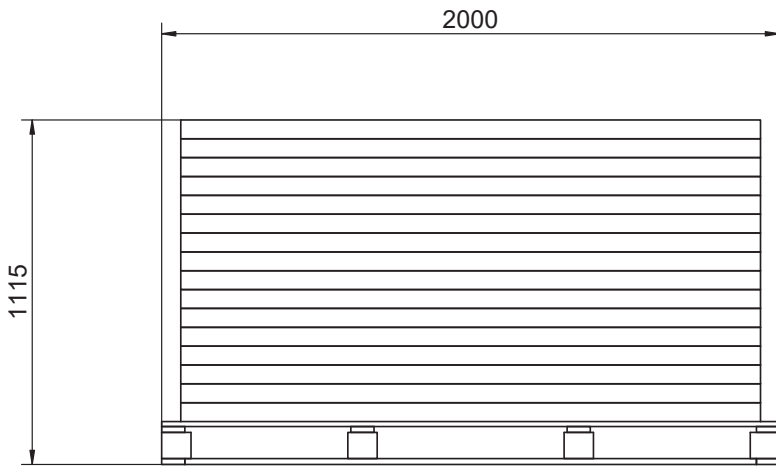
Rev.	Latest Revision / Description						
B	10-02-2023 JR (ECO EC-97): Palle 089641 TS66 ændret til 089154 TS12.						
Item number	Component	Pcs.	L	W	T	Gross weight in kg	Net weight in kg
089154	Palle, TS12A, Special	1	2000	1000	139	22	
Box 2 of 4		32	2072	587	69	28,0	26,4
<b>tvilum</b>	Garderobeskab 3 låger Madrid		INIT:	JR	DATE :	05-03-2020	
			REVISION:	<b>B</b>	Approved by:	<b>JR</b>	
<b>79664</b>			DWG.NO.		<b>79664-70</b>		


# PALLETIZING



Rev.	Latest Revision / Description						
B	10-02-2023 JR (ECO EC-97): Palle 089641 TS66 ændret til 089154 TS12.						
Item number	Component	Pcs.	L	W	T	Gross weight in kg	Net weight in kg
089154	Palle, TS12A, Special	1	2000	1000	139	22	
Box 3 of 4		32	1980	615	50	28,4	27,2
<b>tvilum</b>	<b>Garderobeskab 3 låger</b> Madrid		INIT:	JR	DATE :	05-03-2020	
			REVISION:	<b>B</b>	Approved by:	<b>JR</b>	
<b>79664</b>			<b>DWG.NO.</b>		<b>79664-70</b>		

# PALLETIZING



Rev.	Latest Revision / Description						
A	Første udgave.						
Item number	Component	Pcs.	L	W	T	Gross weight in kg	Net weight in kg
089154	Palle, TS12A, Special	1	2000	1000	139	22	
Box 4 of 4		32	1876	515	61	24,5	23,5
<b>tvilum</b> <b>79664</b>	<b>Garderobeskab 3 låger</b> <b>Madrid</b>		INIT:	JR	DATE :	05-03-2020	
			REVISION:	<b>A</b>	Approved by:	<b>JR</b>	
			DWG.NO.	<b>79664-70</b>			