

# PAKKEINSTRUKTION

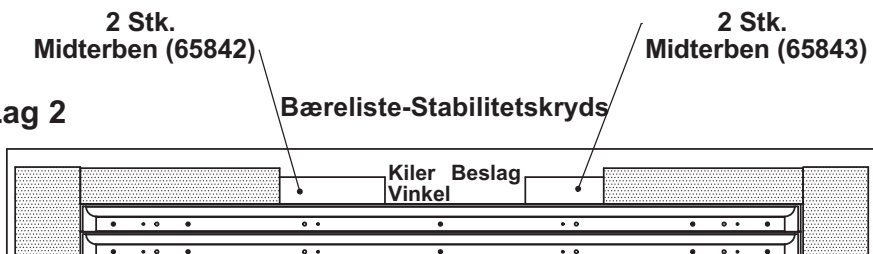
Note til pakkebånd:

## Lag 1



2 Stk. EPS 261x94x20

## Lag 2



2 Stk. EPS 220x155x50

## Lag 3

1 Stk. EPS 1000x40x25



## Lag 4

1 Stk. EPS 1000x64x22



Samlevejlledning


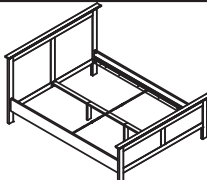
Stabilitetskryds se beslagsliste

Bæreliste se beslagsliste

Beslag se beslagsliste

Kiler se beslagsliste

Vinkel se beslagsliste

Rev.	Latest Revision / Description											
C	Midterliste er opdateret.											
Cardboard closure		Packaging type				Thickness of board / Composition of quality						
A - Sideluk		B - 20 mm end protection				3 mm (B-flute, brown) / Min.: ECT 3,9 - Mul 350						
INSIDE MEASURE		L:	2072	B:	263	H:	95	Glue flap:	45	Measurements shown in mm.	KOLLI: 1 af 2	PAGE:1/1
 <b>76705</b>		<b>Queen Bed</b> <b>Paris</b> 						INIT:	JR	DATE :	16-03-2009	
								REVISION:	<b>C</b>	GODK. AF:	<b>JR</b>	
								DOK.NR.:		76705-60		

# PAKKEINSTRUKTION

Note til pakkebånd:

---

---

---

---

---

---

---

---

---

---

---

---

---

---

---

---

---

---

---

---

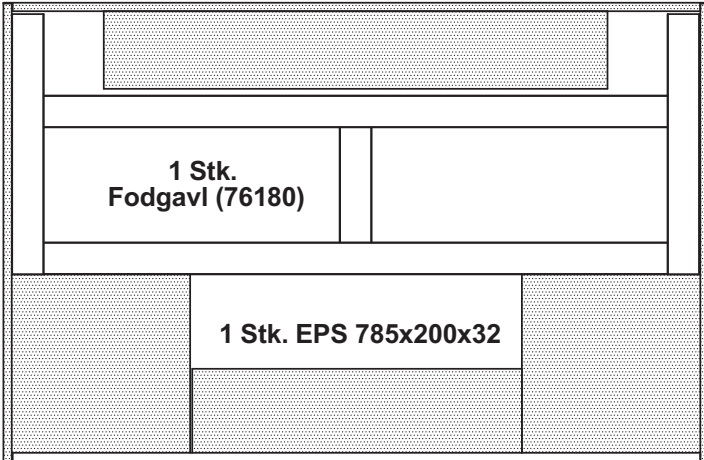
---

---

---

1 Stk. EPS 1200x185x64 20 gr.

Lag 1

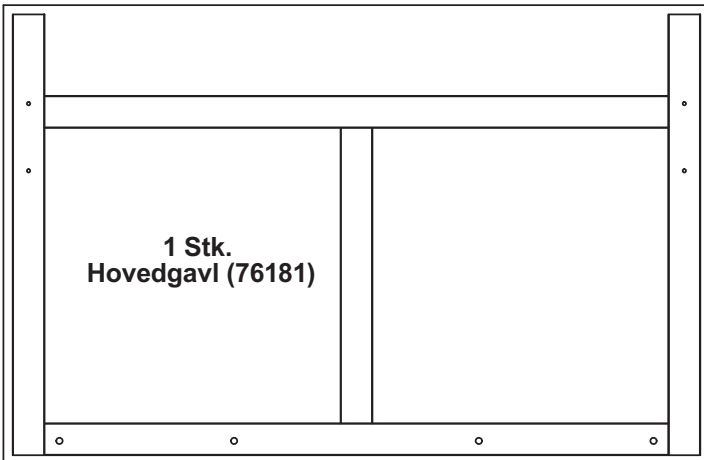


2 Stk. EPS 1090x64x20

2 Stk. EPS 1638x64x20

2 Stk. EPS 425x425x32 30 gr.

Lag 2



<b>Rev.</b>	Latest Revision / Description										
B	Første udgave.										
Cardboard closure		Packaging type			Thickness of board / Composition of quality						
A - Sideluk		C - 20 mm end/side protection			3 mm (B-flute, brown) / Min.: ECT 3,9 - Mul 350						
INSIDE MEASURE		L:	1680	B:	1092	H:	65	Glue flap: 45	Measurements shown in mm.	KOLLI: 2 af 2	PAGE:1/1
<b>tvilum</b>		Queen Bed Paris					INIT:		JR	DATE : 16-03-2009	
							REVISION:		<b>B</b>	GODK. AF: <b>JR</b>	
76705							DOK.NR.:		76705-60		