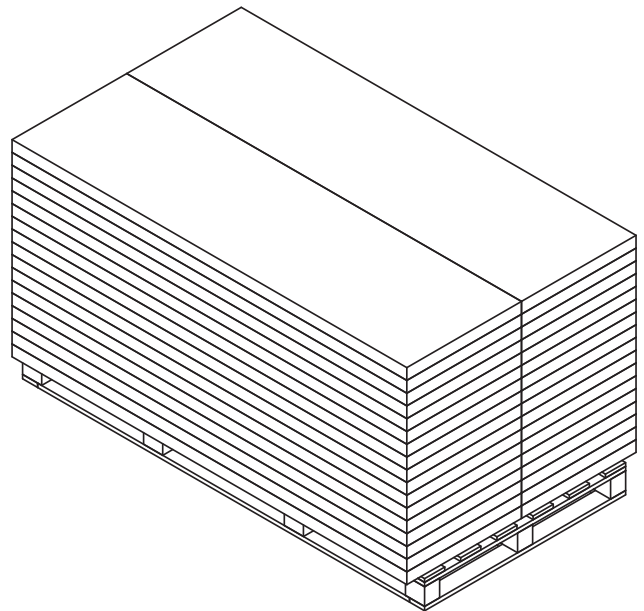
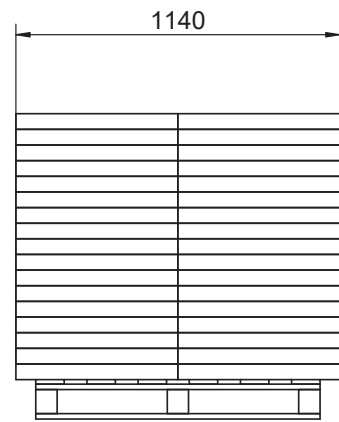
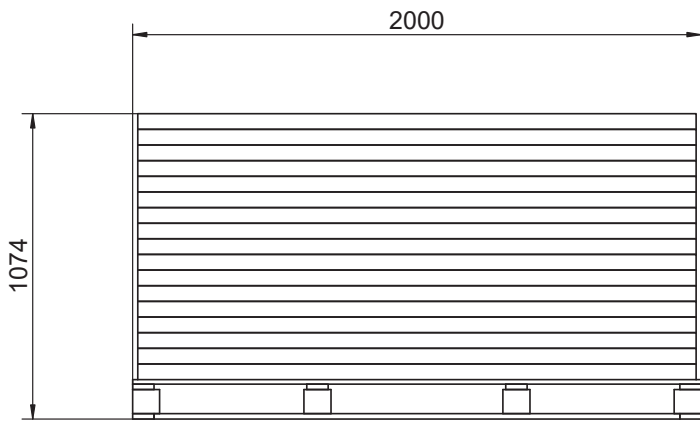

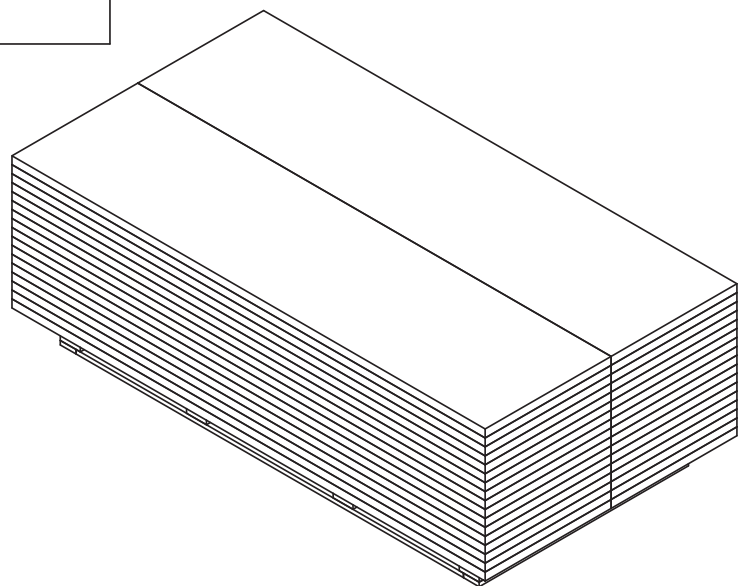
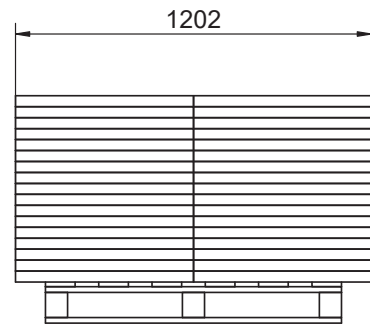
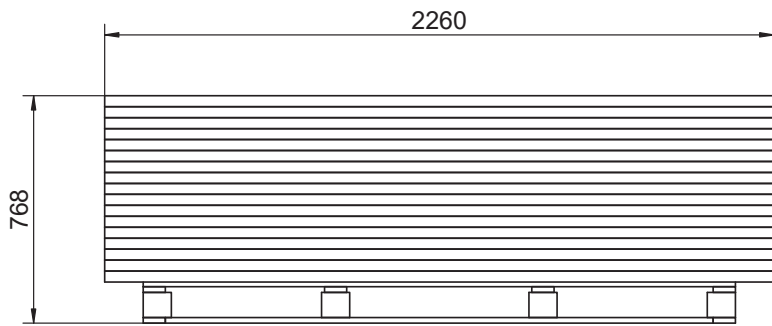


PALLETIZING



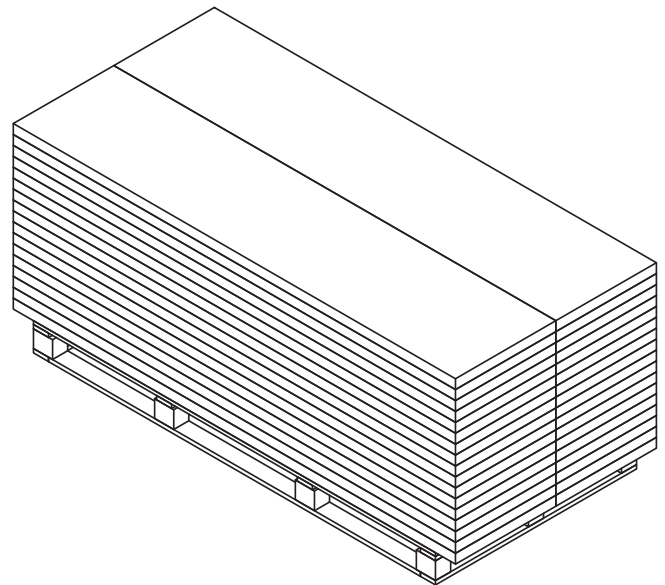
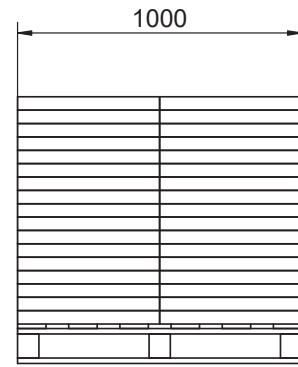
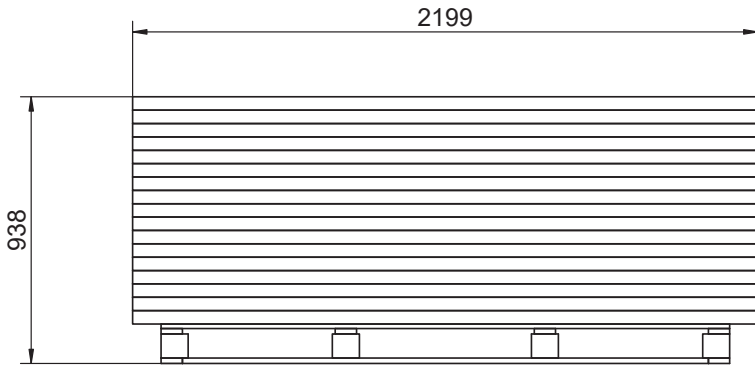
Rev.	Latest Revision / Description						
H	25-01-2023 JR (ECO EC-88): Palle 089367 TS52 ændret til palle 089154 TS12.						
Item number	Component	Pcs.	L	W	T	Gross weight in kg	Net weight in kg
089154	Palle, TS12A, Special	1	2000	1000	139	22	
Box 1 af 4		34	1964	570	55	30,9	29,8
tvilum 75313	Korpus 220 x 180 cm Firenze		INIT:	BKA	DATE :	07-06-2012	
			REVISION:	H	Approved by:	JR	
			DWG.NO.	75313-70			


PALLETIZING



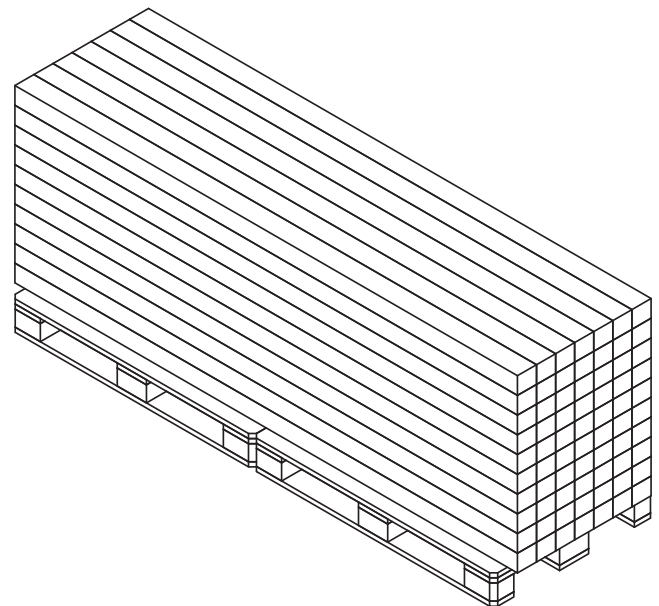
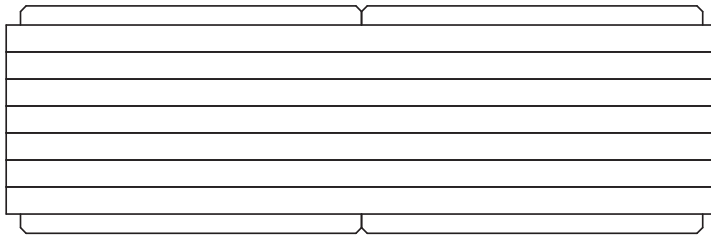
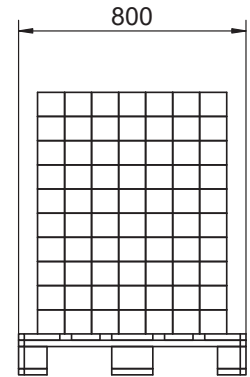
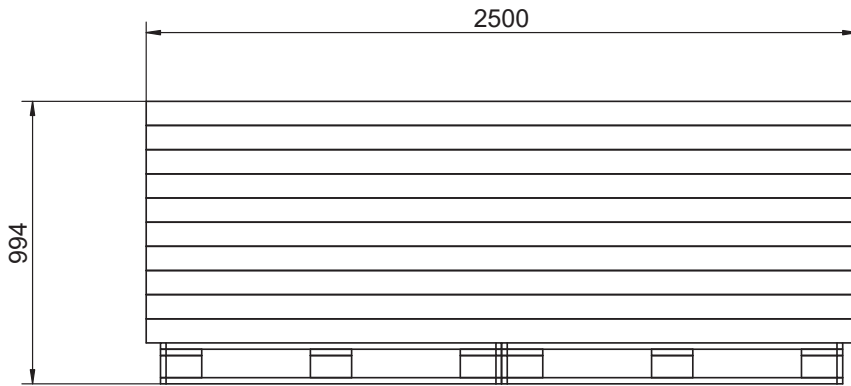
Rev.	Latest Revision / Description						
H	21-01-2020_LPET: Verona ændret til Firenze iht. TL.						
Item number	Component	Pcs.	L	W	T	Gross weight in kg	Net weight in kg
089154	Palle, TS12A, Special	1	2000	1000	139	22	
Box 2 af 4		34	2260	601	37	24,2	22,9
tvilum	Korpus Firenze	INIT:	BKA	DATE :	07-06-2012		
		REVISION:	H	Approved by:	JR		
75313/75314		DWG.NO.		75313/75314 -70			

PALLETIZING




Rev.	Latest Revision / Description						
G	25-01-2023 JR (ECO EC-88): Palle 089367 TS52 ændret til 089154 TS12.						
Item number	Component	Pcs.	L	W	T	Gross weight in kg	Net weight in kg
089154	Palle, TS12A, Special	1	2000	1000	139	22	
Box 3 af 4		34	2199	500	47	20,1	18,9
tvilum 75313	Korpus 220 x 180 cm Firenze		INIT:	BKA	DATE :	07-06-2012	
			REVISION:	G	Approved by:	JR	
			DWG.NO.	75313-70			

PALLETIZING



Indkøbt vare (skydelågebeslag)

Rev.	Latest Revision / Description						
F	21-01-2020_LPET: Verona ændret til Firenze iht. TL.						
Item number	Component	Pcs.	L	W	T	Gross weight in kg	Net weight in kg
089042y	Palle, EUR	2	1200	800	144	25	
Box 4 af 4		70	2500	95	85	6,3	5,9
tvilum	Korpus 220 x 180 cm Firenze		INIT:	JR	DATE :	07-06-2012	
			REVISION:	F	Approved by:	JR	
75313			DWG.NO.		75313-70		