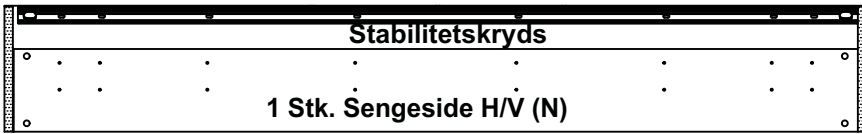


# PACKAGING

Note til pakkebånd:

## Lag 1

2 Stk. Bæreliste t. seng (73837)



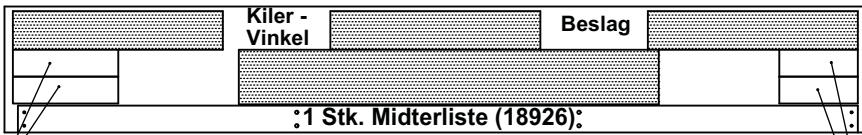
2 Stk. EPS 298x63x20

Bærelister se beslagsliste

Stabilitetskryds se beslagsliste

## Lag 2

3 Stk. EPS 500x92x54



2 Stk. Midterben (65842)

1 Stk. EPS 1000x130x19

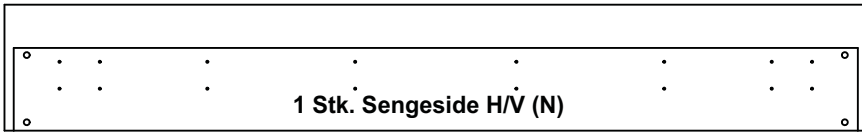
2 Stk. Midterben (65843)

Beslag se beslagsliste

Kiler se beslagsliste

Vinkelbeslag se beslagsliste

## Lag 3



Rev.	Latest Revision / Description											
E	Lag ændret.											
Cardboard closure		Packaging type				Thickness of board / Composition of quality						
A - Sideluk		B - 20 mm end protection				3 mm (B-flute, brown) / Min.: ECT 3,9 - Mul 350						
INSIDE MEASURE		L:	2052	B:	300	H:	64	Glue flap:	45	Measurements shown in mm.	BOX: 1 af 3	PAGE:1/1
		Seng Paris						INIT:	JR	DATE :	16-03-2009	
								REVISION:	E	Approved by:	JR	
76701-702-703								DWG.NO.	76701-702-703-60			

# PACKAGING

Note til pakkeband:

Samlevejledning 76701

---



---



---



---



---



---



---



---



---



---



---



---



---



---



---



---



---



---



---



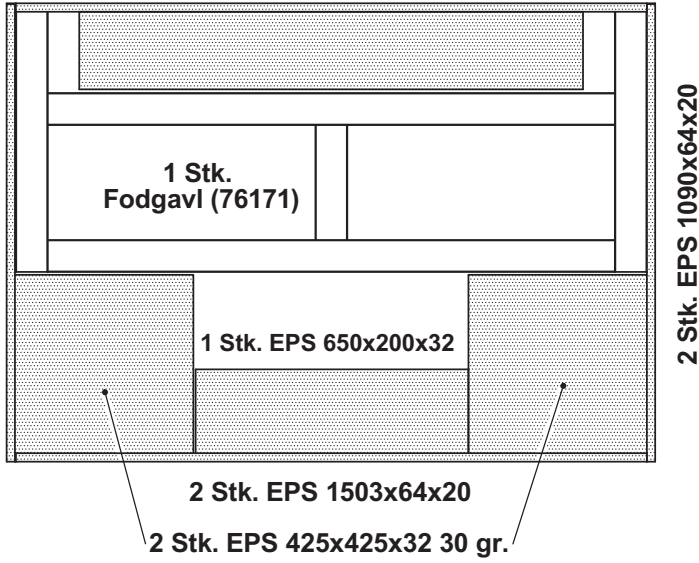
---



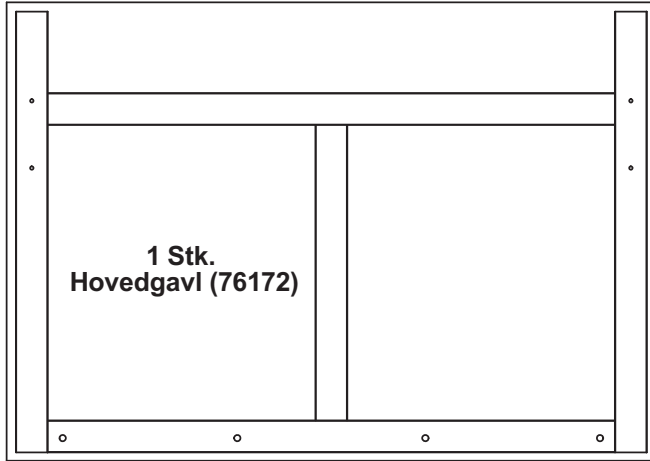
---

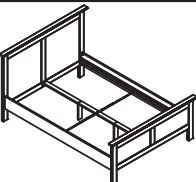
1 Stk. Udgået EPS 1200x185x64 20 gr.

Lag 1



Lag 2



Rev.	Latest Revision / Description										
C	Ændret til fælles colli til 77802. 76711 er fjernet da den er udgået.										
Cardboard closure	Packaging type			Thickness of board / Composition of quality							
A - Sideluk	C - 20 mm end/side protection			3 mm (B-flute, brown) / Min.: ECT 3,9 - Mul 350							
INSIDE MEASURE	L:	1545	B:	1092	H:	65	Glue flap:	45	Measurements shown in mm.	BOX: 2 af 3	PAGE:1/1
<b>tvilum</b>  76701-77802	Seng		Paris			INIT:	JR	DATE :	16-03-2009		
	REVISION:		C			Approved by:	JR				
DWG.NO.		76701-77802 -60									

